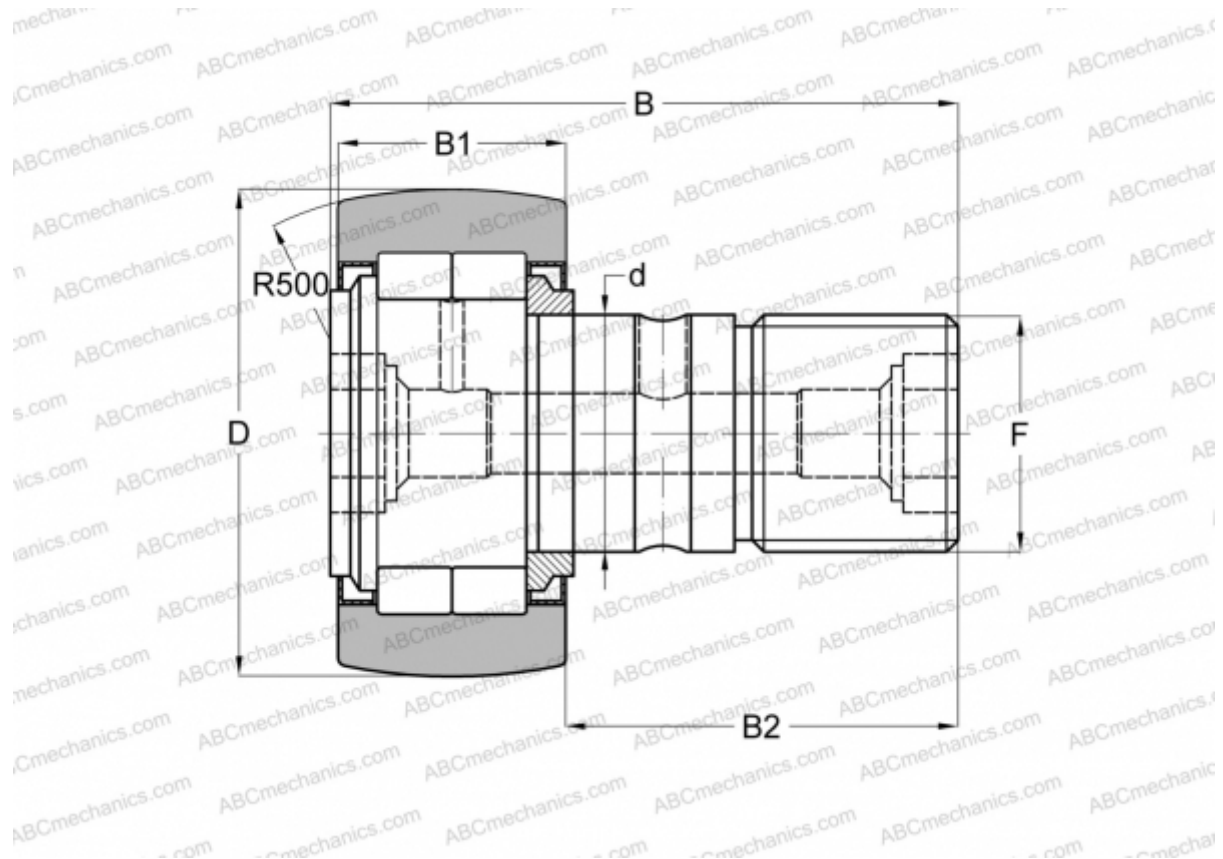


NUKR 85 ABC

Cam followers

TYPE: Roller bearings, Stud type track rollers, With axial guidance, full complement cylindrical roller set, labyrinth seals on both sides



Technical specification

DIMENSIONS, MM

d	30,000
D	85,000
B	100,000
B1	35,000
B2	63,000
F	M30x1.5

WEIGHT, KG 1,742

MANUFACTURER [ABC](#)

INTERCHANGE

FAG	NUKR 85 C(NUKD 85)
INA	NUKR 85
IKO	NUCF 30-1 R
McGill	MCFD 85 S