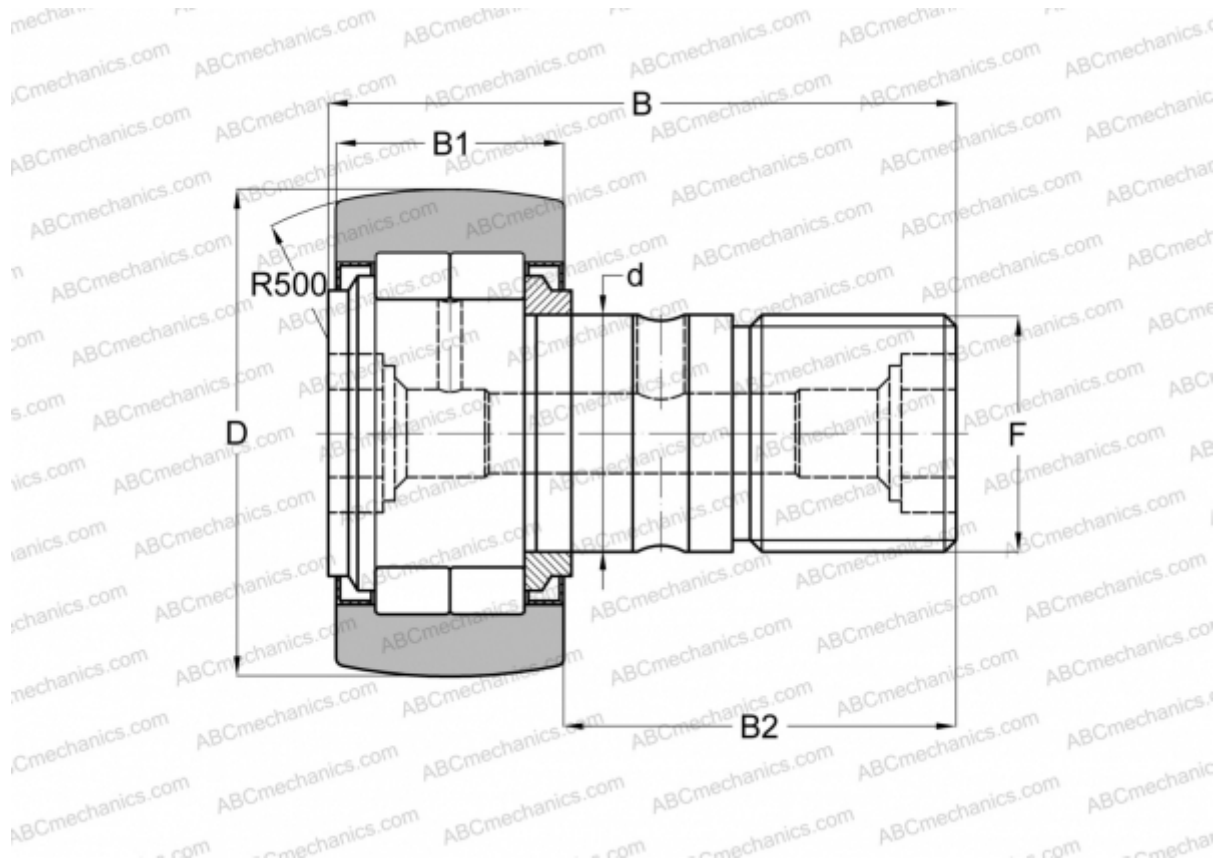


## NUKR 85 INA

Cam followers

TYPE: Roller bearings, Stud type track rollers, With axial guidance, full complement cylindrical roller set, labyrinth seals on both sides



### Technical specification

#### DIMENSIONS, MM

d	30,000
D	85,000
B	100,000
B1	35,000
B2	63,000
F	M30x1.5

**WEIGHT, KG** 1,742

**MANUFACTURER** [INA](#)

#### INTERCHANGE

ABC	<a href="#">NUKR 85</a>
FAG	<a href="#">NUKR 85 C(NUKD 85)</a>
IKO	<a href="#">NUCF 30-1 R</a>
McGill	<a href="#">MCFD 85 S</a>