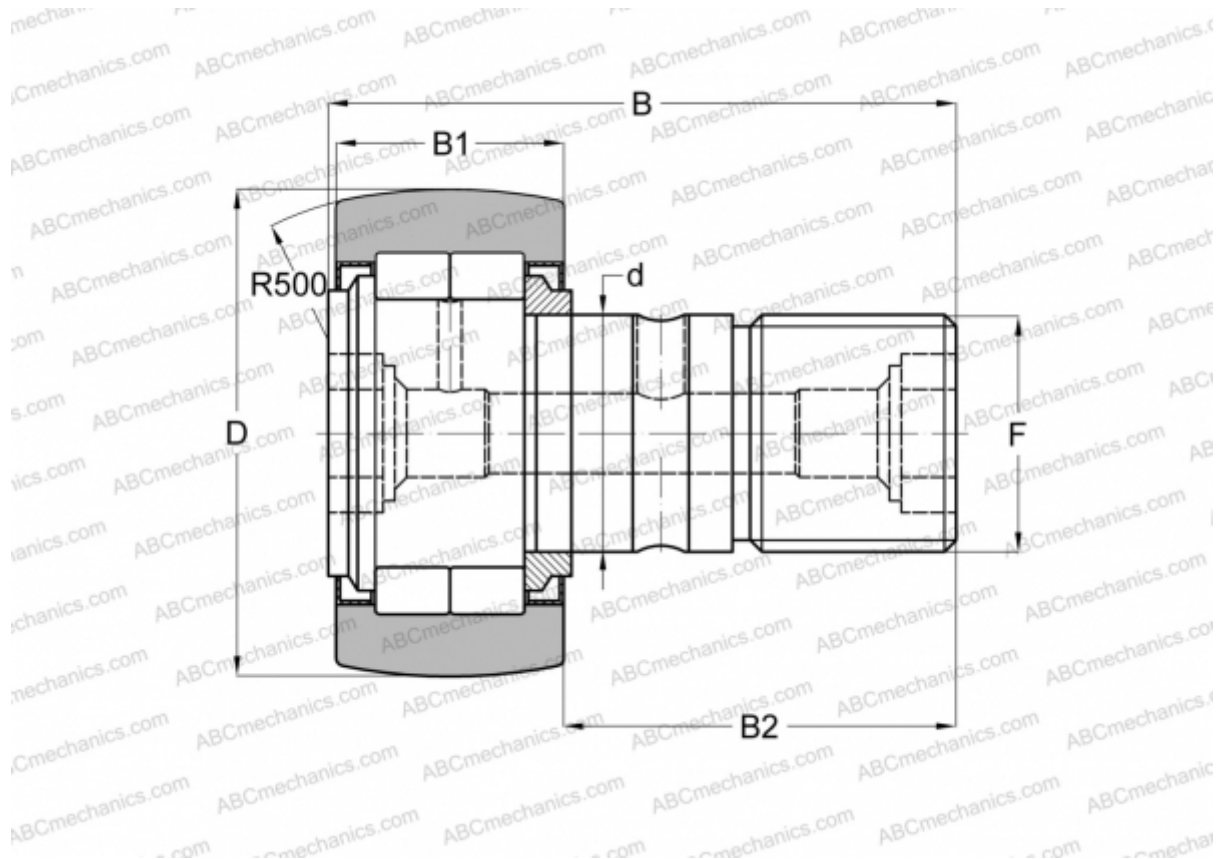


NUKR 90 ABC

Cam followers

TYPE: Roller bearings, Stud type track rollers, With axial guidance, full complement cylindrical roller set, labyrinth seals on both sides



Technical specification

DIMENSIONS, MM

d	30,000
D	90,000
B	100,000
B1	35,000
B2	63,000
F	M30x1.5

WEIGHT, KG 1,950

MANUFACTURER [ABC](#)

INTERCHANGE

FAG	NUKR 90 C(NUKD 90)
INA	NUKR 90
IKO	NUCF 30-2 R
McGill	MCFD 90 S

INTERCHANGE

SKF [NUKR 90 A](#)