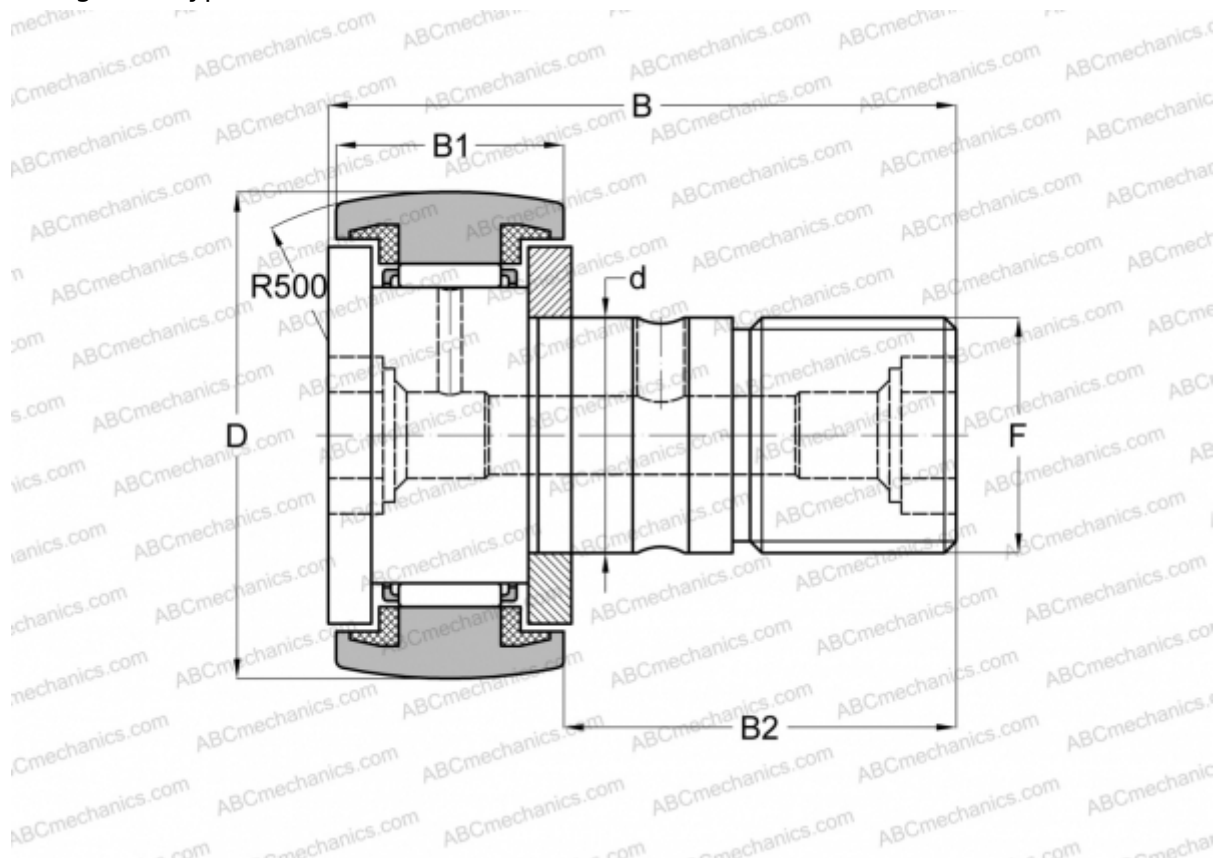


CF 6 WBUUR/SG IKO

Cam followers

TYPE: Roller bearings, Stud type track rollers, With axial guidance, sealing rings on both sides, thermosetting solid-type lubricant C-Lube (IKO)



Technical specification

DIMENSIONS, MM

d	6,000
D	16,000
B	28,200
B1	11,000
B2	16,000
F	M6x1

WEIGHT, KG 0,019

MANUFACTURER [IKO](#)

CALCULATION DATA

Basic dynamic load rating, C	3,660 kN
Basic static load rating, Co	3,650 kN