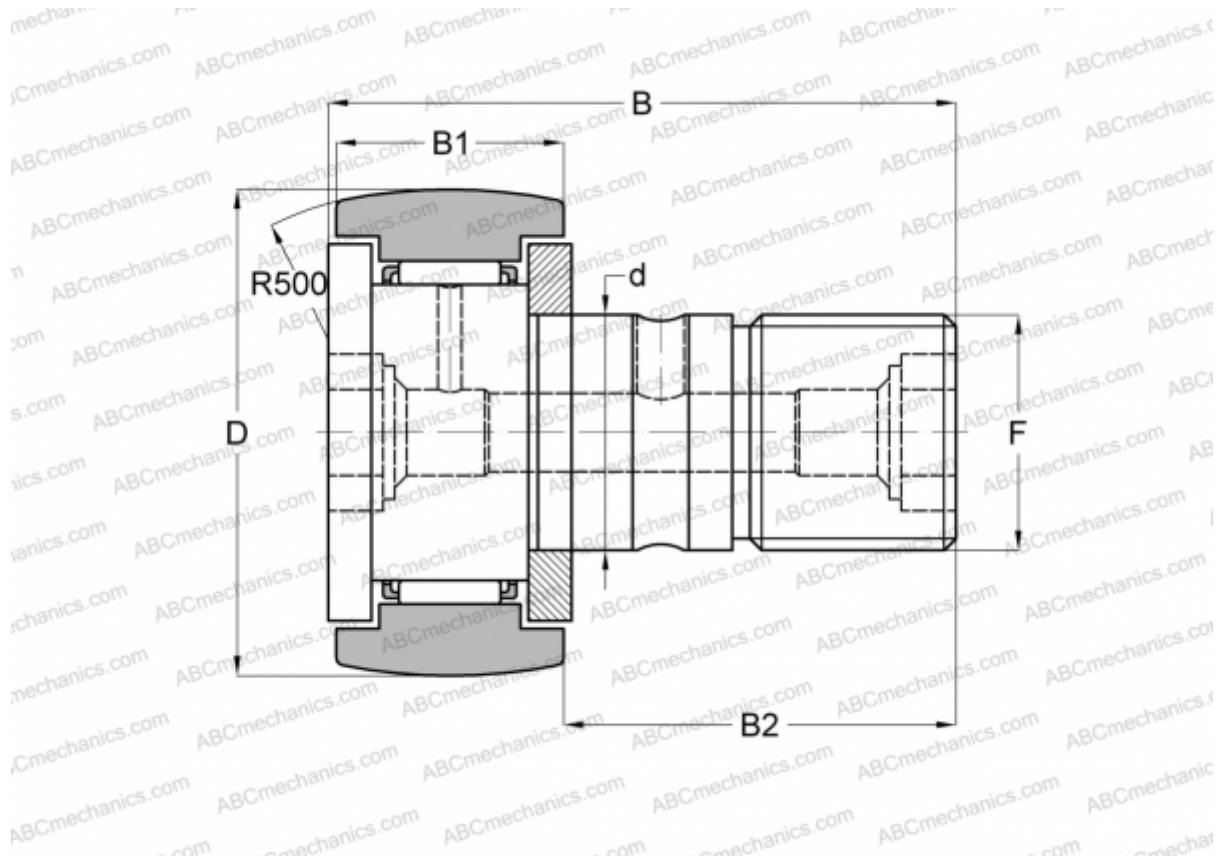


CR 10-1 BR IKO

Cam followers

TYPE: Roller bearings, Stud type track rollers, With axial guidance, gap seals on both side, hex hole, inch size (IKO)



Technical specification

DIMENSIONS, MM

| | |
|----|--------|
| d | 6,350 |
| D | 15,875 |
| B | 30,956 |
| B1 | 11,906 |
| B2 | 19,050 |
| F | 1/4-28 |

WEIGHT, KG 0,021

MANUFACTURER [IKO](#)

CALCULATION DATA

| | |
|------------------------------|----------|
| Basic dynamic load rating, C | 3,650 kN |
| Basic static load rating, Co | 3,670 kN |