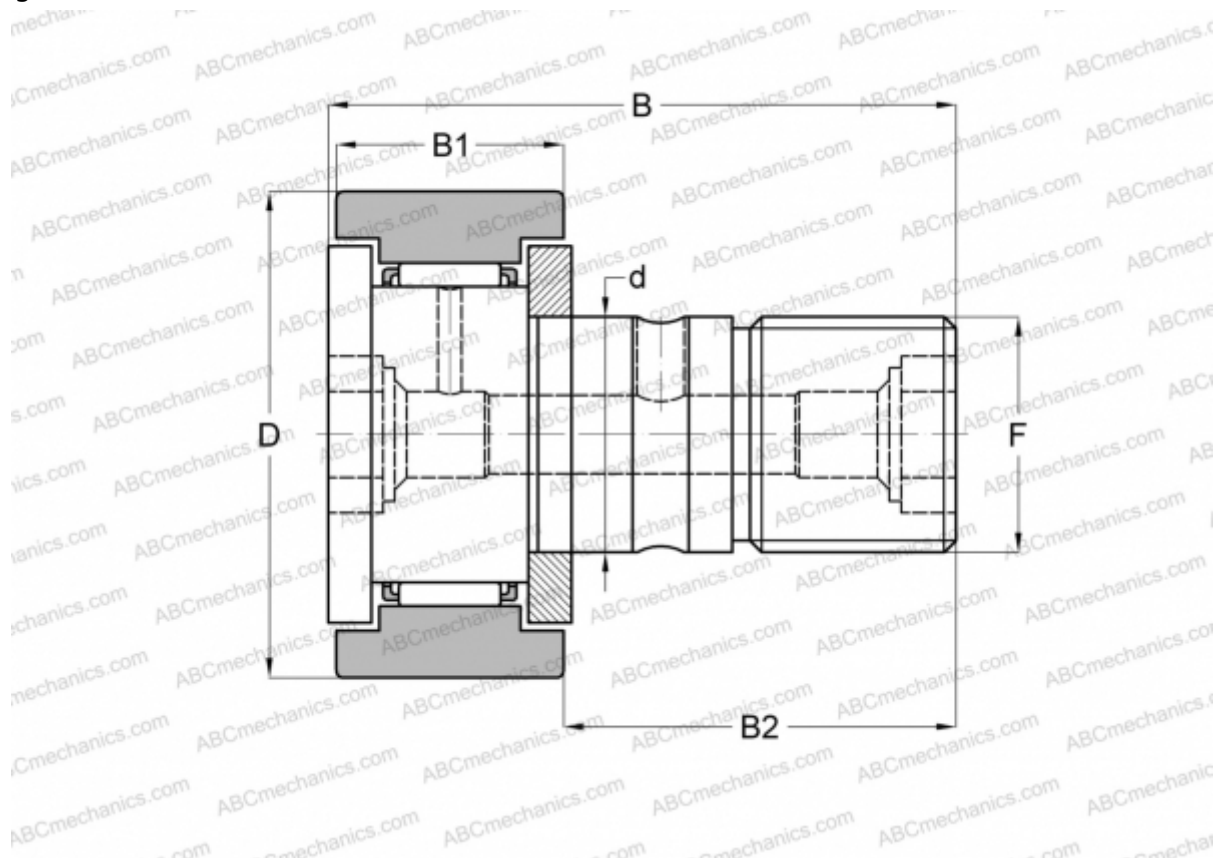


## CR 16 B IKO

Cam followers

TYPE: Roller bearings, Stud type track rollers, With axial guidance, gap seals on both side, cylindrical outer ring, hex hole, inch size (IKO)



### Technical specification

#### DIMENSIONS, MM

d	11,112
D	25,400
B	42,069
B1	16,669
B2	25,400
F	7/16-20

**WEIGHT, KG** 0,073

**MANUFACTURER** [IKO](#)

#### CALCULATION DATA

Basic dynamic load rating, C	8,810 kN
Basic static load rating, Co	10,800 kN