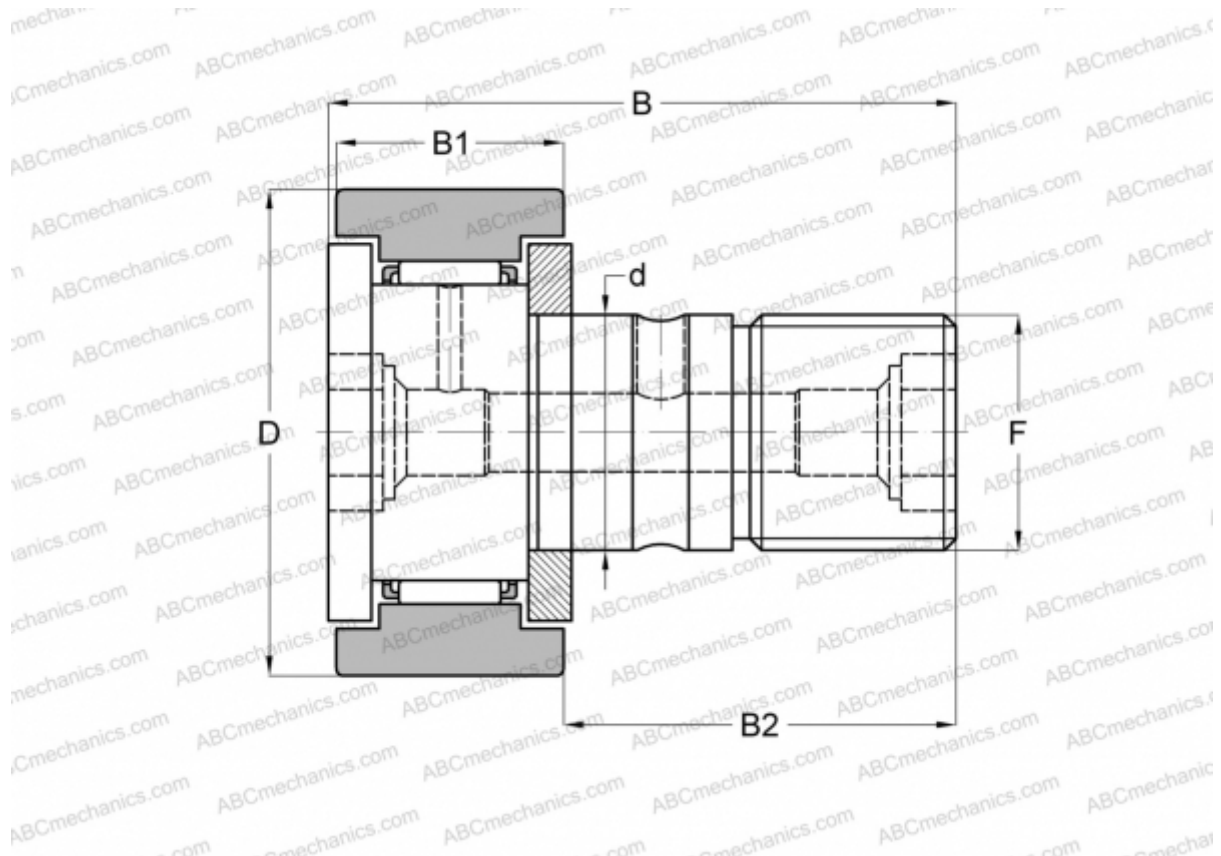


CR 22 B IKO

Cam followers

TYPE: Roller bearings, Stud type track rollers, With axial guidance, gap seals on both side, cylindrical outer ring, hex hole, inch size (IKO)



Technical specification

DIMENSIONS, MM

| | |
|----|--------|
| d | 12,700 |
| D | 34,925 |
| B | 51,594 |
| B1 | 19,844 |
| B2 | 31,750 |
| F | 1/2-20 |

WEIGHT, KG 0,157

MANUFACTURER [IKO](#)

CALCULATION DATA

| | |
|------------------------------|-----------|
| Basic dynamic load rating, C | 14,200 kN |
| Basic static load rating, Co | 16,000 kN |