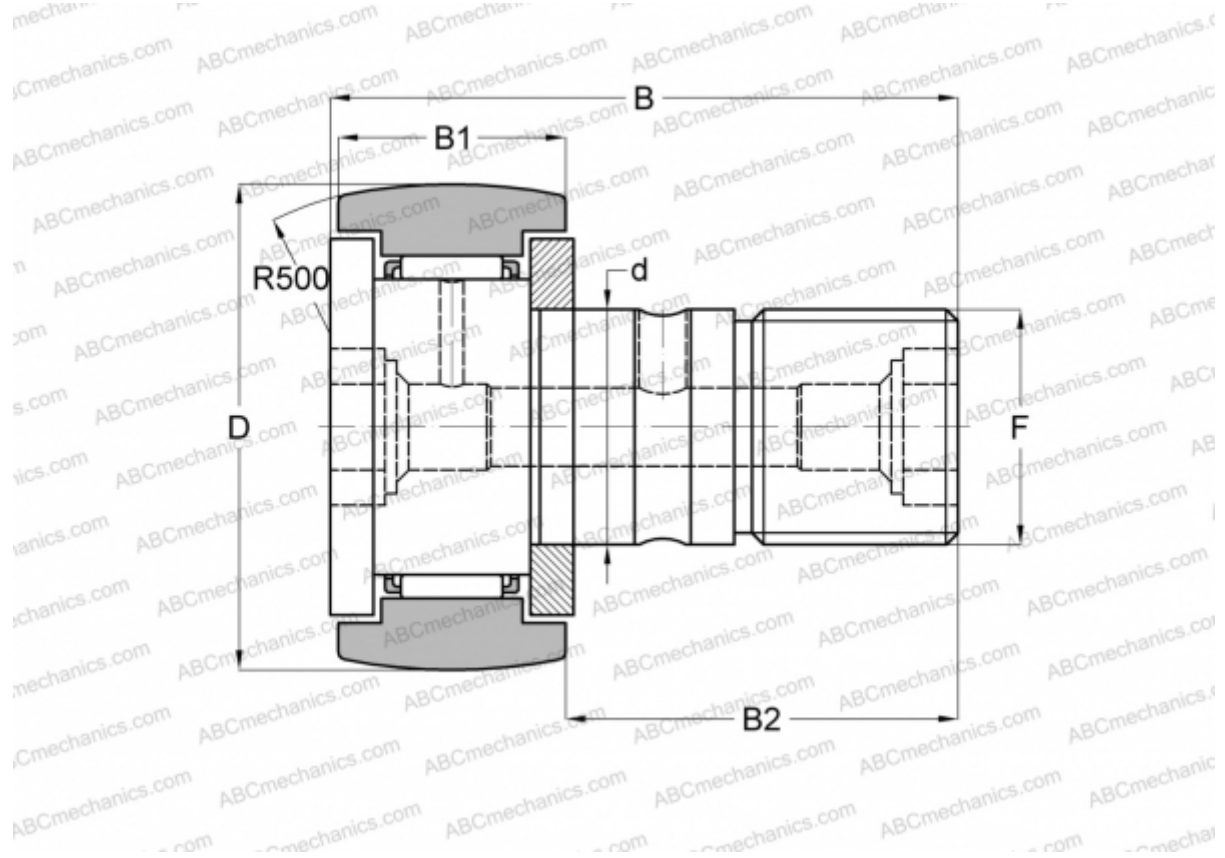


## CR 8-1 R IKO

Cam followers

TYPE: Roller bearings, Stud type track rollers, With axial guidance, gap seals on both side, inch size



### Technical specification

#### DIMENSIONS, MM

d	4,826
D	12,700
B	26,194
B1	10,319
B2	15,875
F	NO. 10-32

**WEIGHT, KG** 0,010

**MANUFACTURER** [IKO](#)

#### INTERCHANGE

ABC	<a href="#">CR 8-1 R</a>
INA	<a href="#">CFC 8-1 Y</a>

#### CALCULATION DATA

Basic dynamic load rating, C	2,520 kN
------------------------------	----------

#### CALCULATION DATA

Basic static load rating, Co	2,140 kN
------------------------------	----------