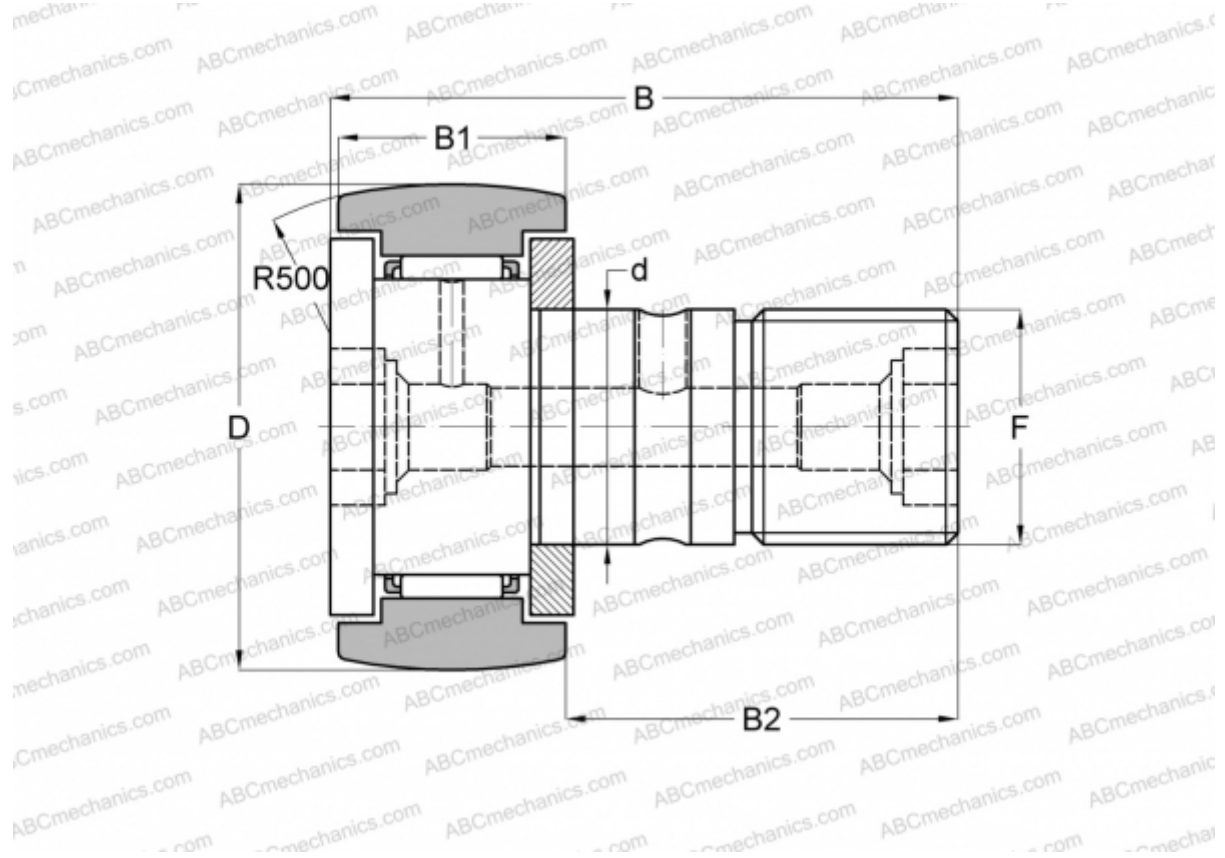


CR 10 R IKO

Cam followers

TYPE: Roller bearings, Stud type track rollers, With axial guidance, gap seals on both side, inch size



Technical specification

DIMENSIONS, MM

d	6,350
D	15,875
B	26,988
B1	11,112
B2	15,876
F	1/4-28

WEIGHT, KG 0,019

MANUFACTURER [IKO](#)

INTERCHANGE

ABC	CR 10 R
-----	-------------------------

CALCULATION DATA

Basic dynamic load rating, C	3,650 kN
Basic static load rating, Co	3,670 kN