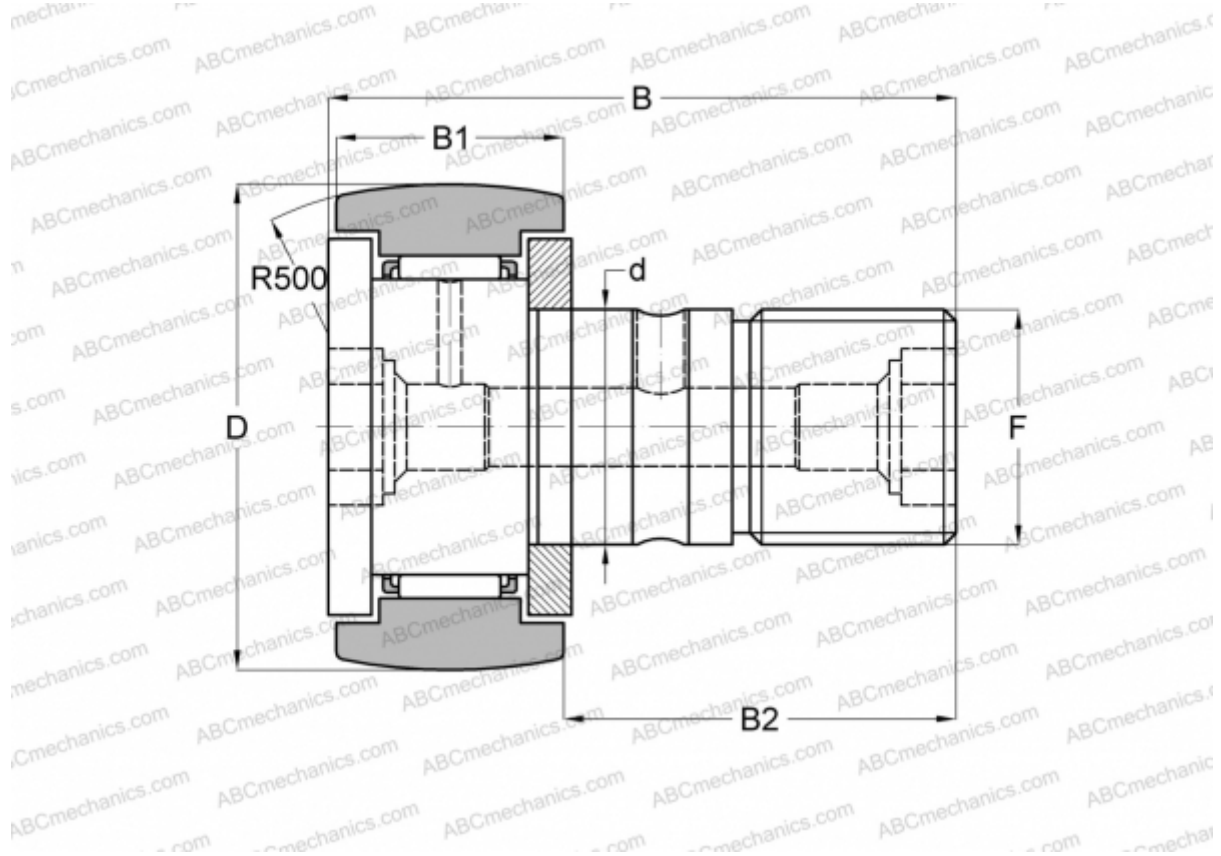


CR 16 R ABC

Cam followers

TYPE: Roller bearings, Stud type track rollers, With axial guidance, gap seals on both side, inch size



Technical specification

DIMENSIONS, MM

d	11,112
D	25,400
B	42,069
B1	16,669
B2	25,400
F	7/16-20

WEIGHT, KG 0,073

MANUFACTURER [ABC](#)

INTERCHANGE

IKO	CR 16 R
INA	CFC 16 Y