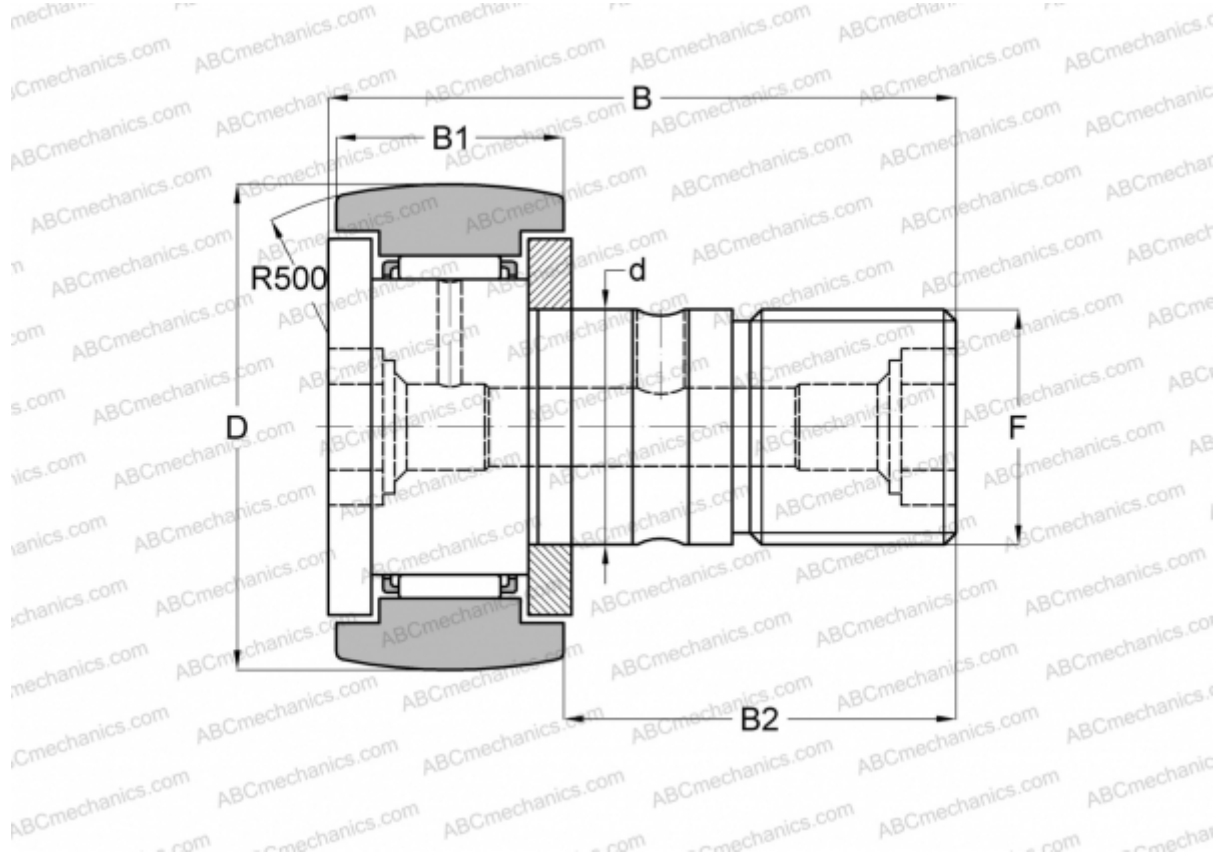


## CFC 22 Y INA

Cam followers

TYPE: Roller bearings, Stud type track rollers, With axial guidance, gap seals on both side, inch size



### Technical specification

#### DIMENSIONS, MM

d	12,700
D	34,925
B	51,594
B1	19,844
B2	31,750
F	1/2-20

**WEIGHT, KG** 0,157

**MANUFACTURER** [INA](#)

#### INTERCHANGE

ABC	<a href="#">CR 22 R</a>
IKO	<a href="#">CR 22 R</a>