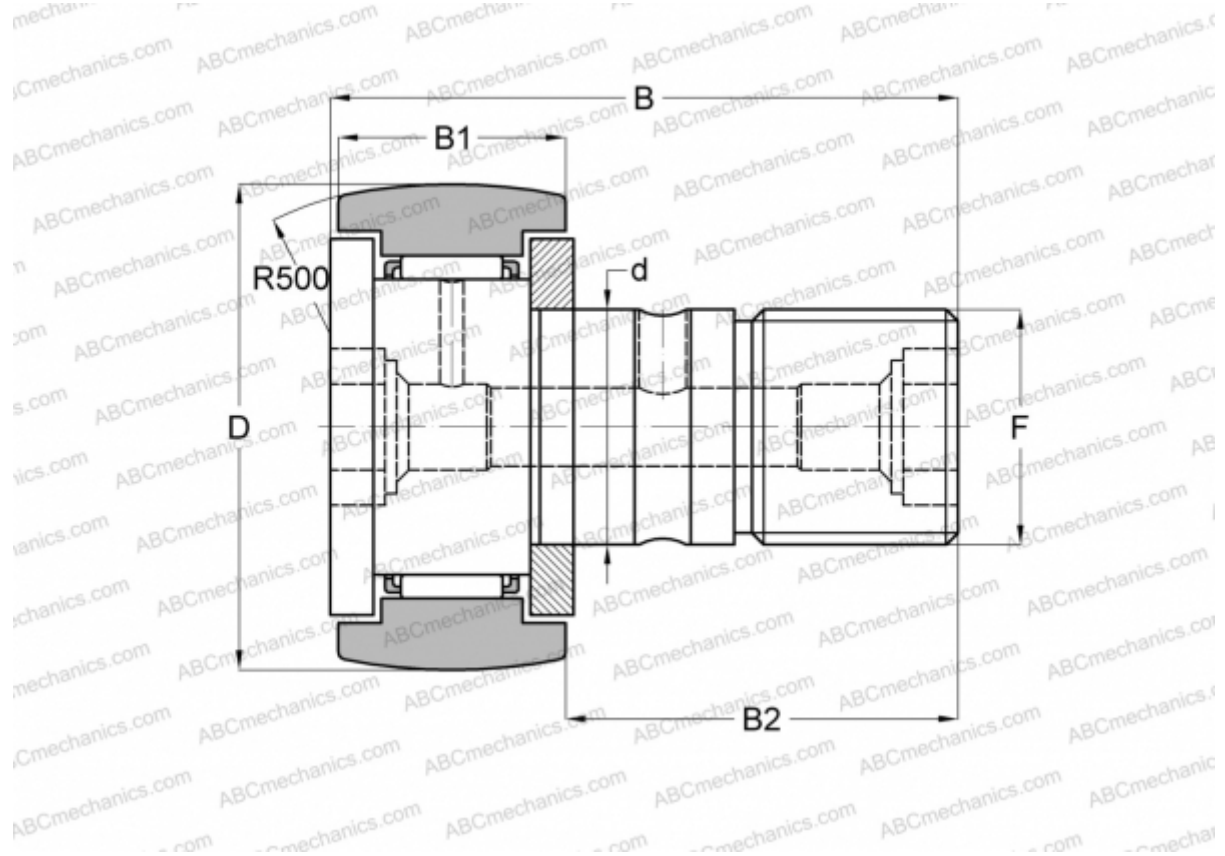


CR 24 R IKO

Cam followers

TYPE: Roller bearings, Stud type track rollers, With axial guidance, gap seals on both side, inch size



Technical specification

DIMENSIONS, MM

| | |
|----|--------|
| d | 15,875 |
| D | 38,100 |
| B | 61,119 |
| B1 | 23,019 |
| B2 | 38,100 |
| F | 5/8-18 |

WEIGHT, KG 0,225

MANUFACTURER [IKO](#)

INTERCHANGE

| | |
|-----|--------------------------|
| ABC | CR 24 R |
| INA | CFC 24 Y |

CALCULATION DATA

| | |
|------------------------------|-----------|
| Basic dynamic load rating, C | 18,600 kN |
|------------------------------|-----------|

CALCULATION DATA

| | |
|------------------------------|-----------|
| Basic static load rating, Co | 24,300 kN |
|------------------------------|-----------|