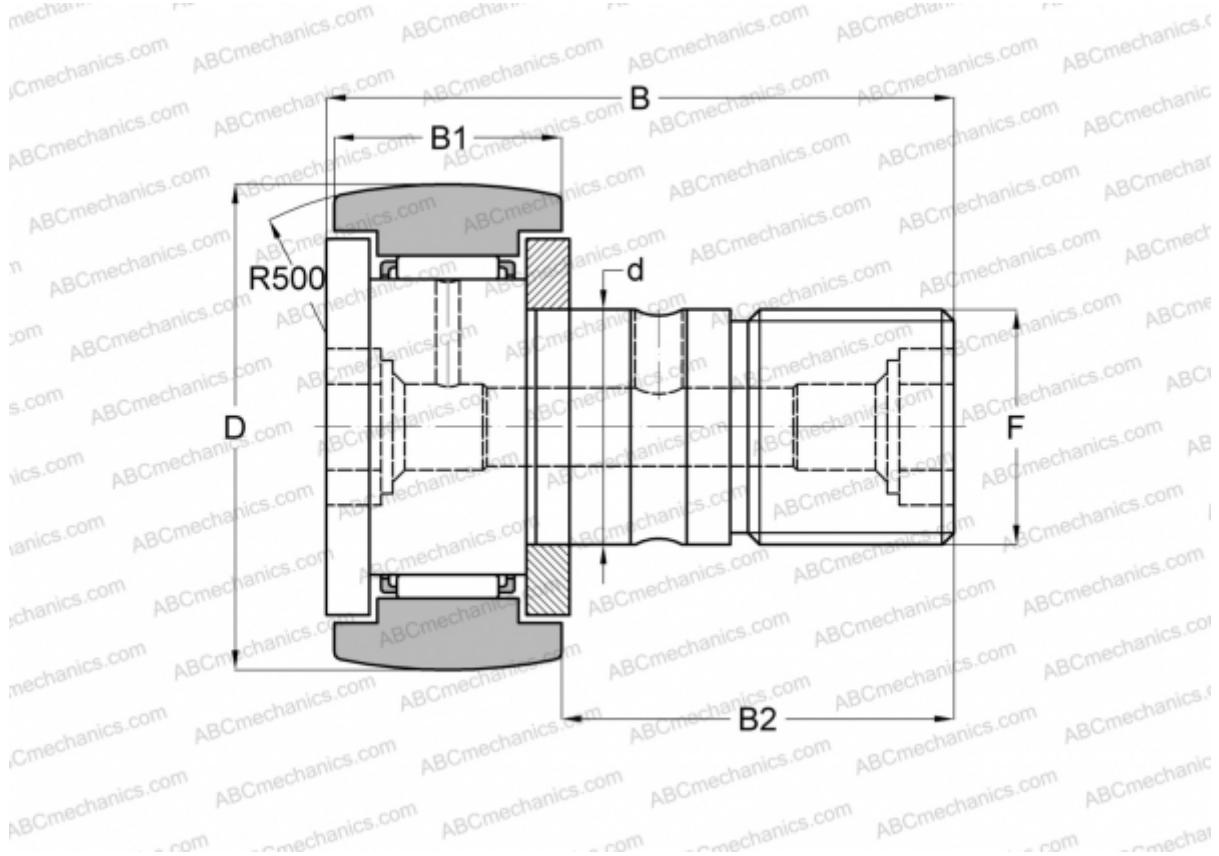


## CR 36 R ABC

Cam followers

TYPE: Roller bearings, Stud type track rollers, With axial guidance, gap seals on both side, inch size



### Technical specification

#### DIMENSIONS, MM

d	22,225
D	57,150
B	83,344
B1	32,544
B2	50,800
F	7/8-14

**WEIGHT, KG** 0,750

**MANUFACTURER** [ABC](#)

#### INTERCHANGE

IKO	<a href="#">CR 36 R</a>
INA	<a href="#">CFC 36 Y</a>