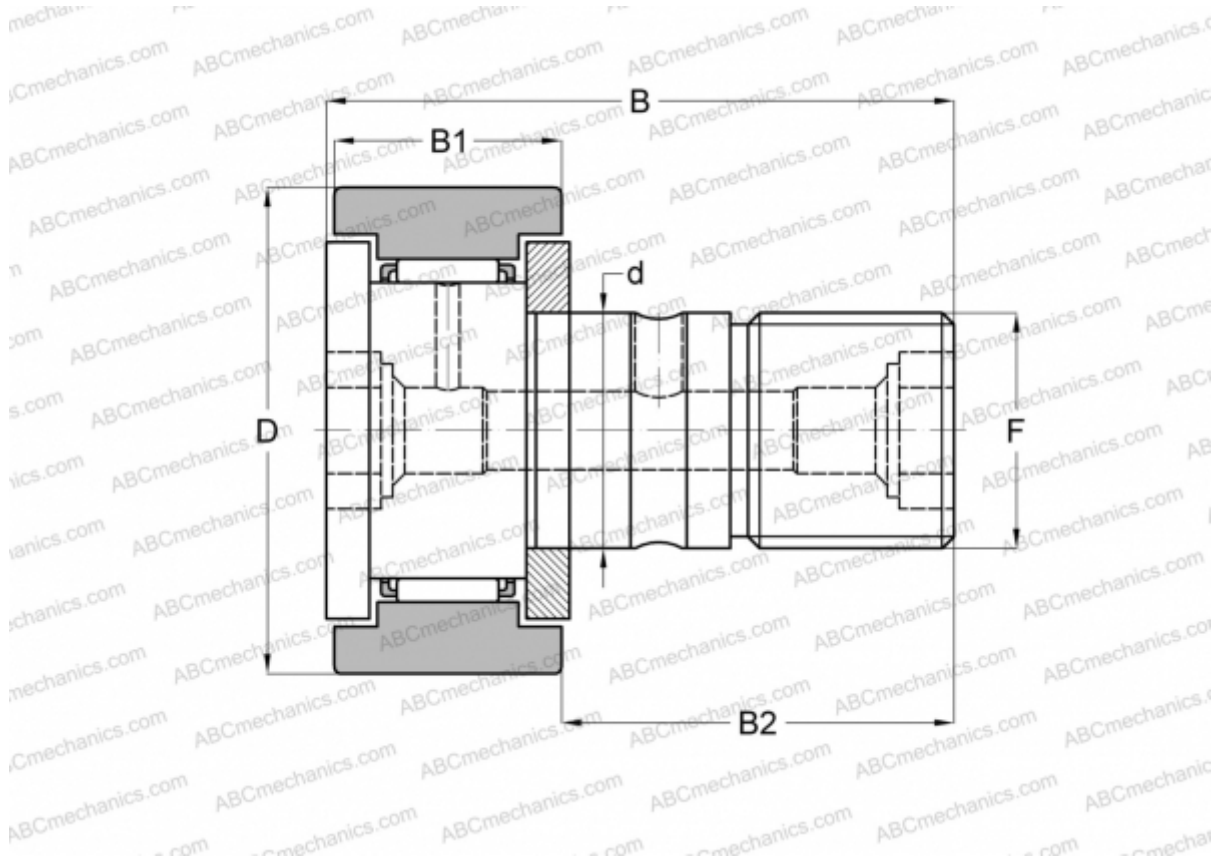


CR 8-1 IKO

Cam followers

TYPE: Roller bearings, Stud type track rollers, With axial guidance, gap seals on both side, cylindrical outer ring, inch size



Technical specification

DIMENSIONS, MM

d	4,826
D	12,700
B	26,194
B1	10,319
B2	15,875
F	NO. 10-32

WEIGHT, KG 0,010

MANUFACTURER [IKO](#)

INTERCHANGE

ABC	CR 8-1
INA	CFC 8-1

CALCULATION DATA

Basic dynamic load rating, C	2,520 kN
------------------------------	----------

CALCULATION DATA

Basic static load rating, Co	2,140 kN
------------------------------	----------