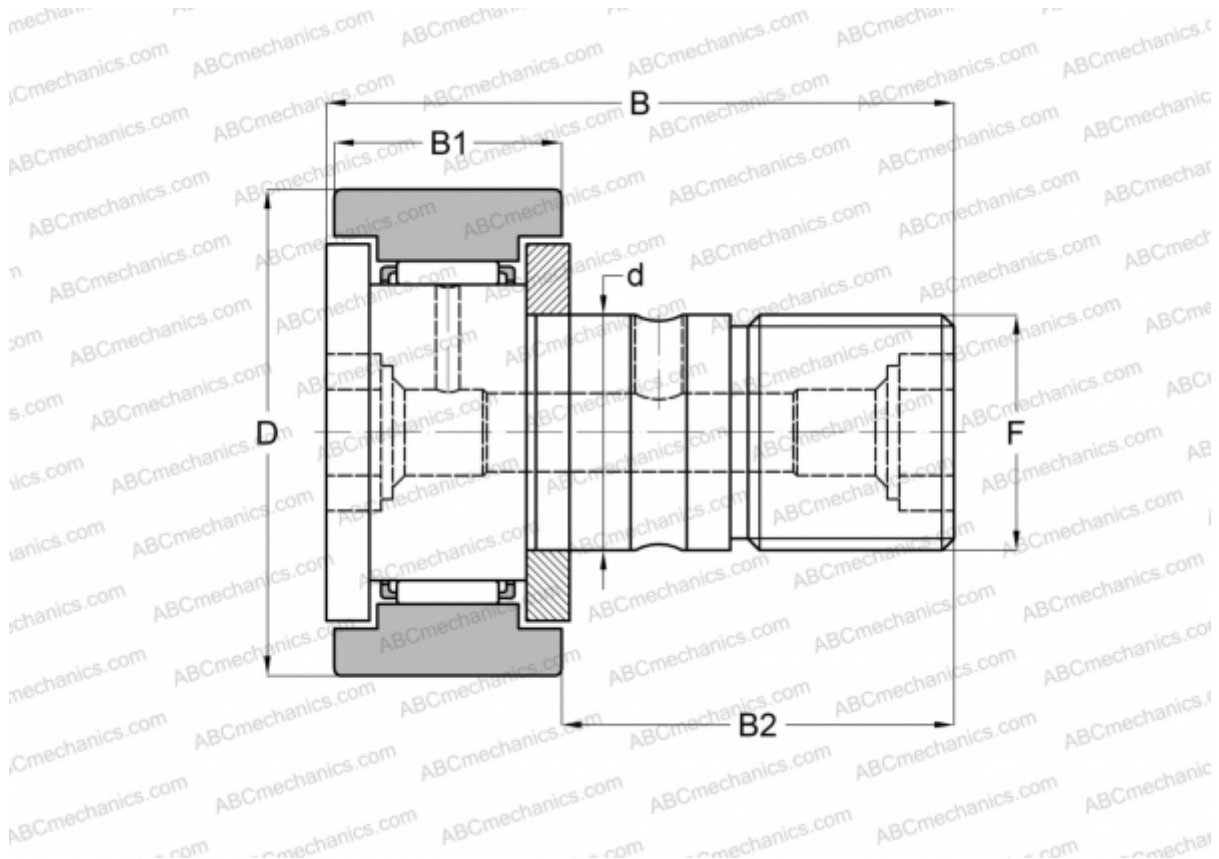


CR 10 IKO

Cam followers

TYPE: Roller bearings, Stud type track rollers, With axial guidance, gap seals on both side, cylindrical outer ring, inch size



Technical specification

DIMENSIONS, MM

| | |
|----|--------|
| d | 6,350 |
| D | 15,875 |
| B | 26,988 |
| B1 | 11,112 |
| B2 | 15,876 |
| F | 1/4-28 |

WEIGHT, KG 0,019

MANUFACTURER [IKO](#)

INTERCHANGE

ABC [CR 10](#)

CALCULATION DATA

| | |
|------------------------------|----------|
| Basic dynamic load rating, C | 3,650 kN |
| Basic static load rating, Co | 3,670 kN |