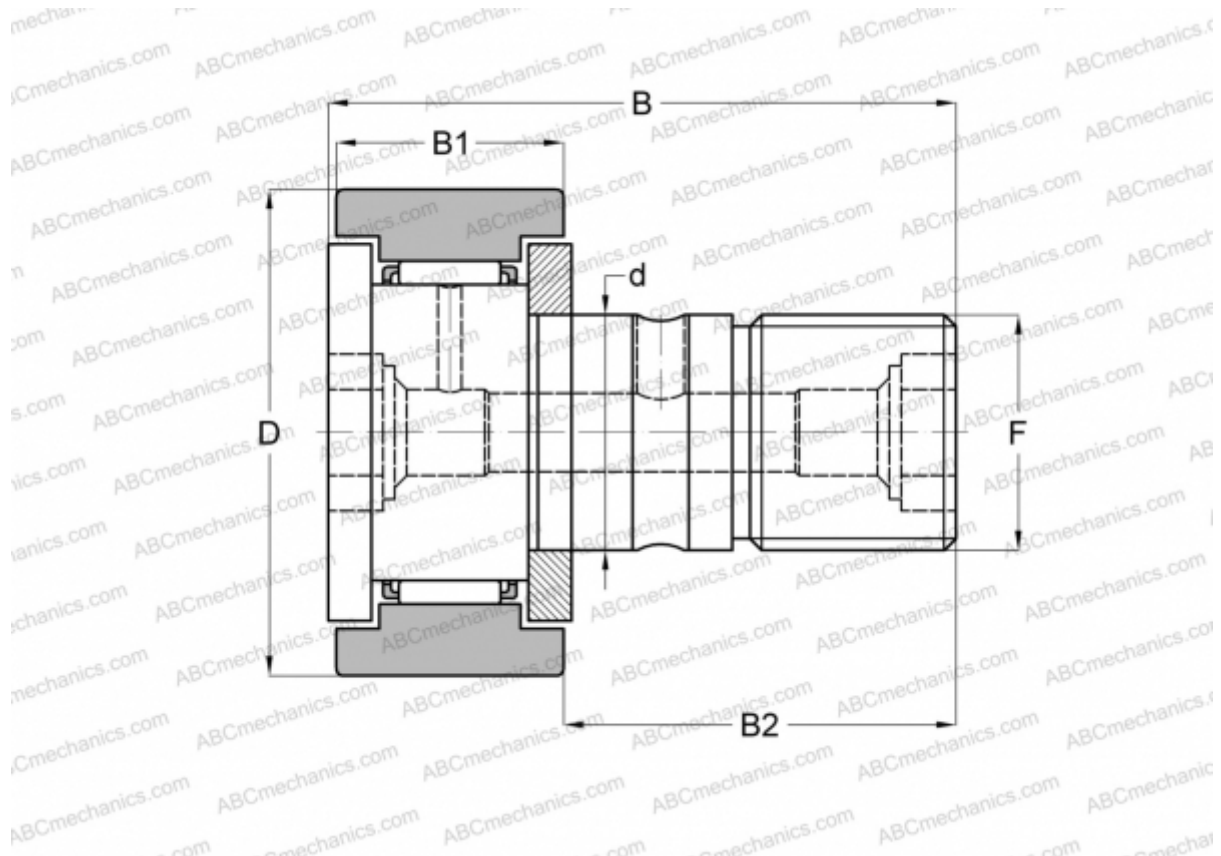


## CR 26 ABC

Cam followers

TYPE: Roller bearings, Stud type track rollers, With axial guidance, gap seals on both side, cylindrical outer ring, inch size



### Technical specification

#### DIMENSIONS, MM

d	15,875
D	41,275
B	61,119
B1	23,019
B2	38,100
F	5/8-18

**WEIGHT, KG** 0,260

**MANUFACTURER** [ABC](#)

#### INTERCHANGE

IKO	<a href="#">CR 26</a>
INA	<a href="#">CFC 26</a>