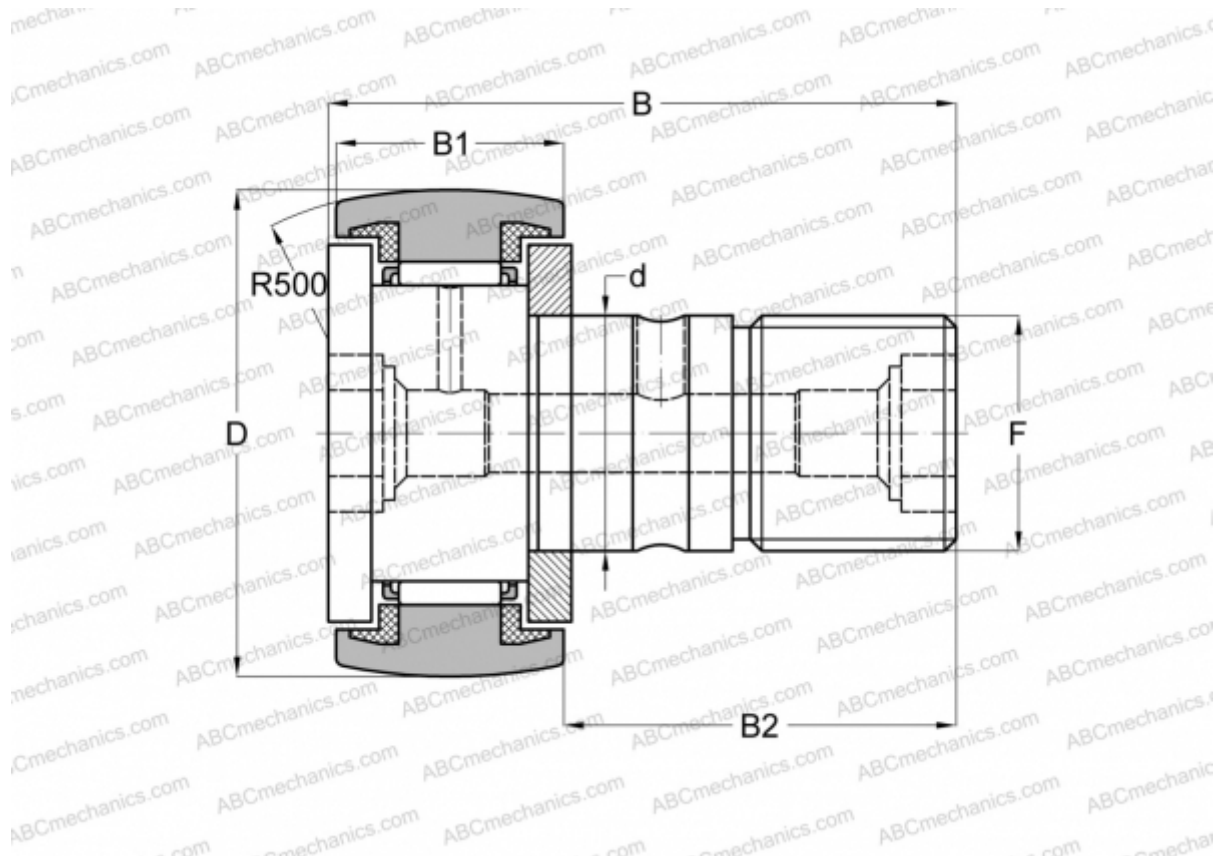


CR 8-1 BUUR ABC

Cam followers

TYPE: Roller bearings, Stud type track rollers, With axial guidance, sealing rings on both sides, hex socket, inch size



Technical specification

DIMENSIONS, MM

d	4,826
D	12,700
B	26,194
B1	10,319
B2	15,875

WEIGHT, KG 0,010

MANUFACTURER [ABC](#)

INTERCHANGE

IKO	CR 8-1 BUUR
INA	CFC 8-1 PPYSK