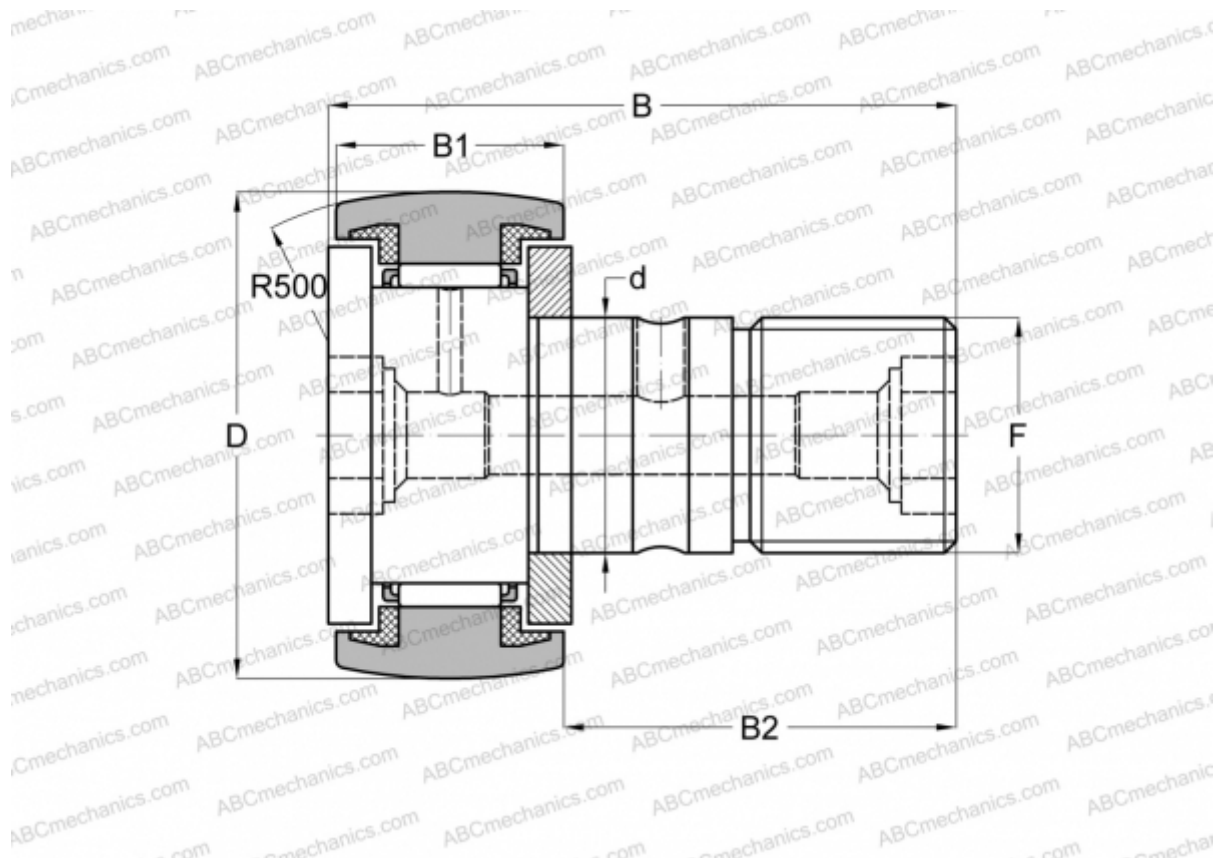


CR 10 BUUR ABC

Cam followers

TYPE: Roller bearings, Stud type track rollers, With axial guidance, sealing rings on both sides, hex socket, inch size



Technical specification

DIMENSIONS, MM

d	6,350
D	15,875
B	26,987
B1	11,112
B2	15,875
C	1,000

WEIGHT, KG 0,019

MANUFACTURER [ABC](#)

INTERCHANGE

IKO [CR 10 BUUR](#)