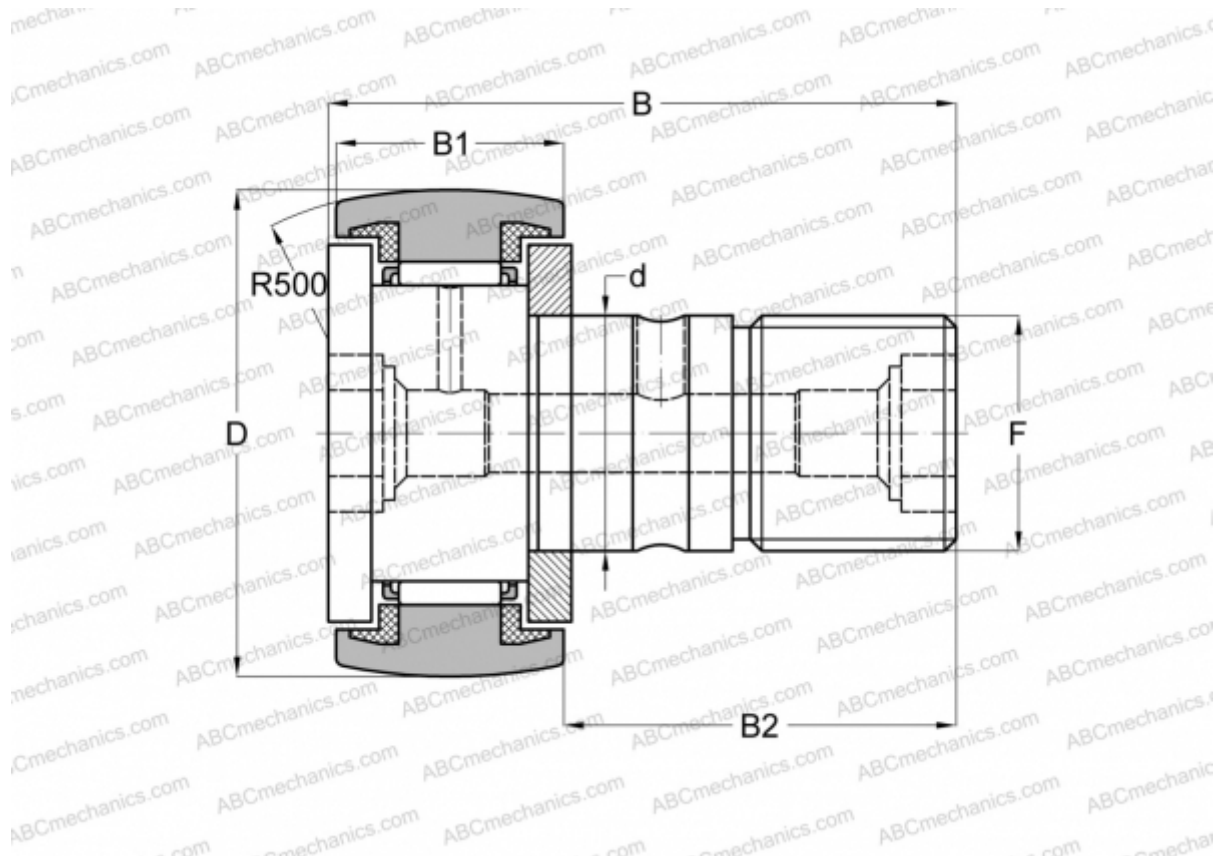


CFC 10-1 PPYSK INA

Cam followers

TYPE: Roller bearings, Stud type track rollers, With axial guidance, sealing rings on both sides, hex socket, inch size



Technical specification

DIMENSIONS, MM

d	6,350
D	15,875
B	30,956
B1	11,906
B2	19,050
C	1,000

WEIGHT, KG 0,021

MANUFACTURER [INA](#)

INTERCHANGE

ABC	CR 10-1 BUUR
IKO	CR 10-1 BUUR