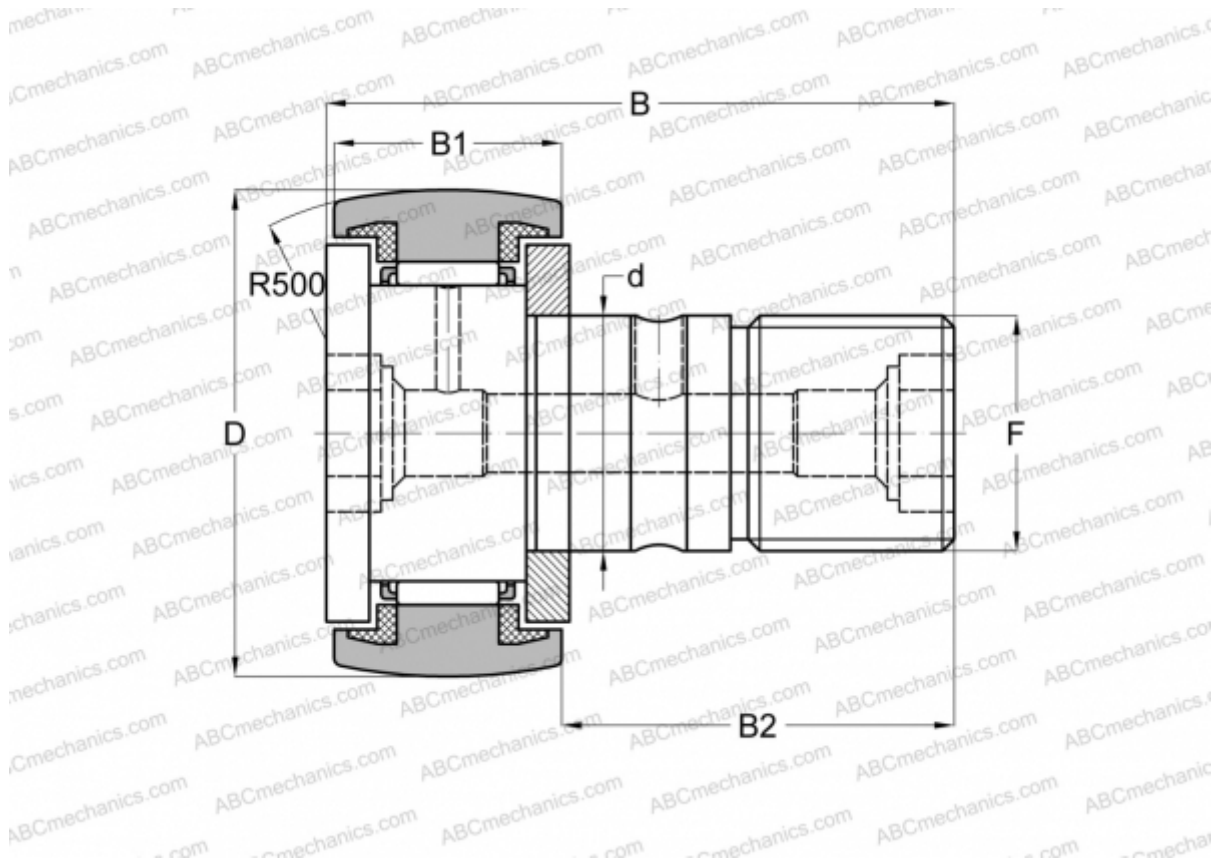


## CR 12 BUUR IKO

Cam followers

TYPE: Roller bearings, Stud type track rollers, With axial guidance, sealing rings on both sides, hex socket, inch size



### Technical specification

#### DIMENSIONS, MM

d	9,525
D	19,050
B	35,719
B1	13,494
B2	22,225
C	3,000

**WEIGHT, KG** 0,035

**MANUFACTURER** [IKO](#)

#### INTERCHANGE

ABC	<a href="#">CR 12 BUUR</a>
INA	<a href="#">CFC 12 PPYSK</a>

#### CALCULATION DATA

Basic dynamic load rating, C	4,420 kN
------------------------------	----------

#### CALCULATION DATA

Basic static load rating, Co	5,110 kN
------------------------------	----------