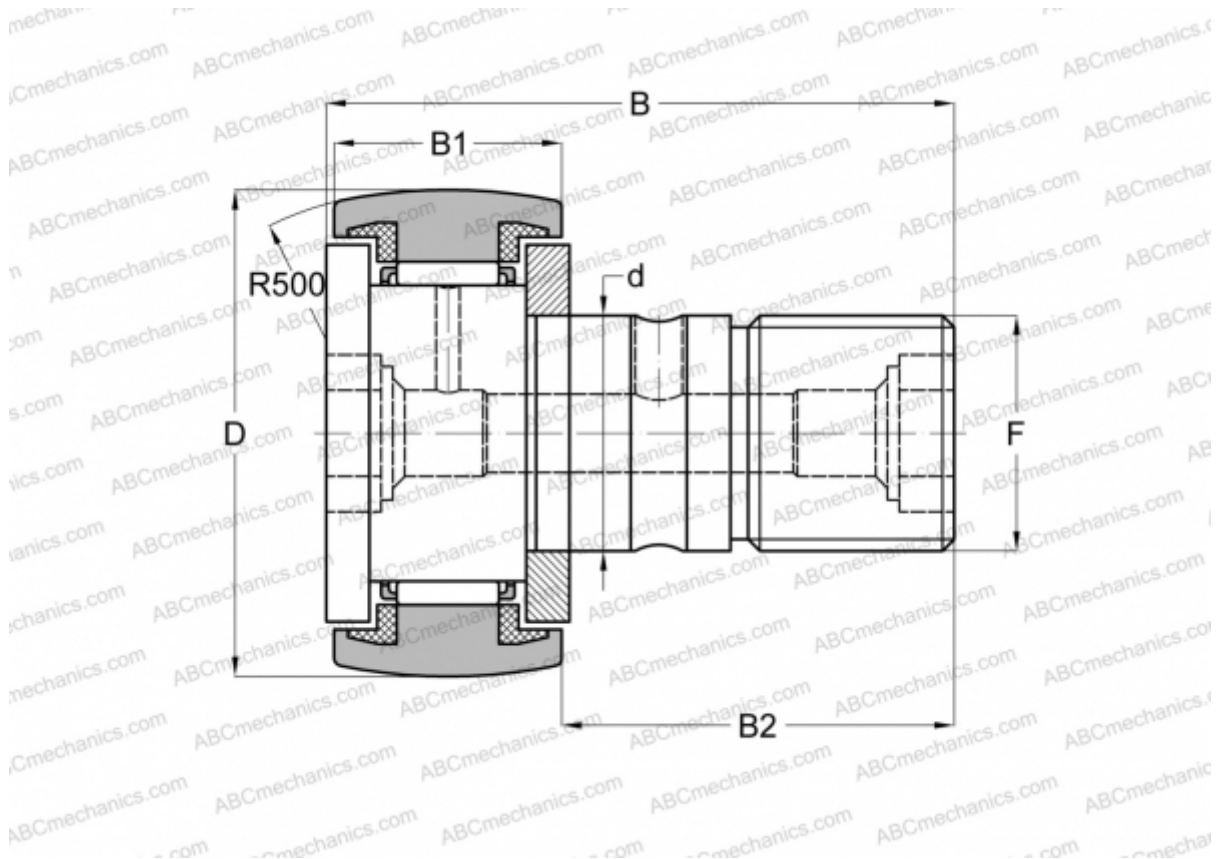


CR 14 BUUR IKO

Cam followers

TYPE: Roller bearings, Stud type track rollers, With axial guidance, sealing rings on both sides, hex socket, inch size



Technical specification

DIMENSIONS, MM

d	9,525
D	22,225
B	35,719
B1	13,494
B2	22,225
C	3,000

WEIGHT, KG 0,046

MANUFACTURER [IKO](#)

INTERCHANGE

ABC	CR 14 BUUR
INA	CFC 14 PPYSK

CALCULATION DATA

Basic dynamic load rating, C	4,790 kN
------------------------------	----------

CALCULATION DATA

Basic static load rating, Co	5,810 kN
------------------------------	----------