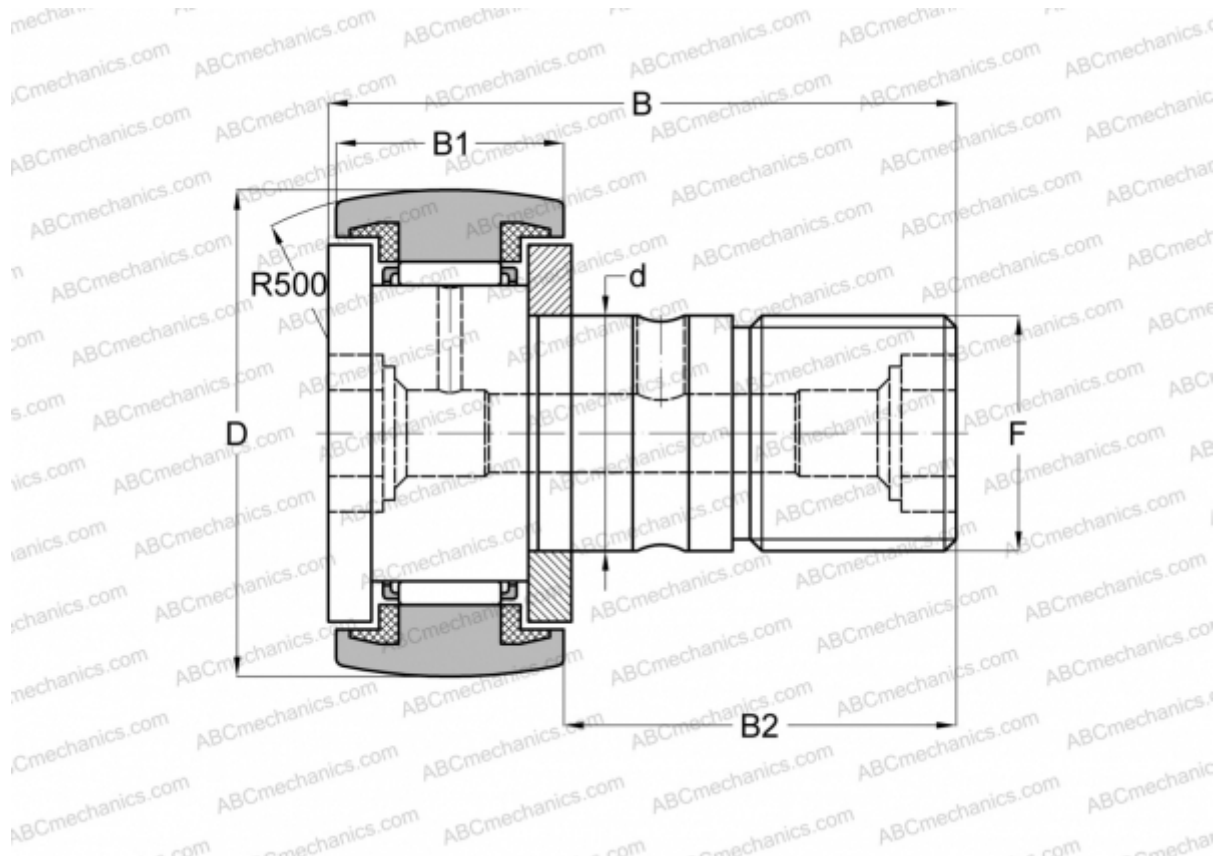


## CFC 18 PPYSK INA

Cam followers

TYPE: Roller bearings, Stud type track rollers, With axial guidance, sealing rings on both sides, hex socket, inch size



### Technical specification

#### DIMENSIONS, MM

d	11,112
D	28,575
B	42,069
B1	16,669
B2	25,400
C	7,000

**WEIGHT, KG** 0,088

**MANUFACTURER** [INA](#)

#### INTERCHANGE

ABC	<a href="#">CR 18 BUUR</a>
IKO	<a href="#">CR 18 BUUR</a>