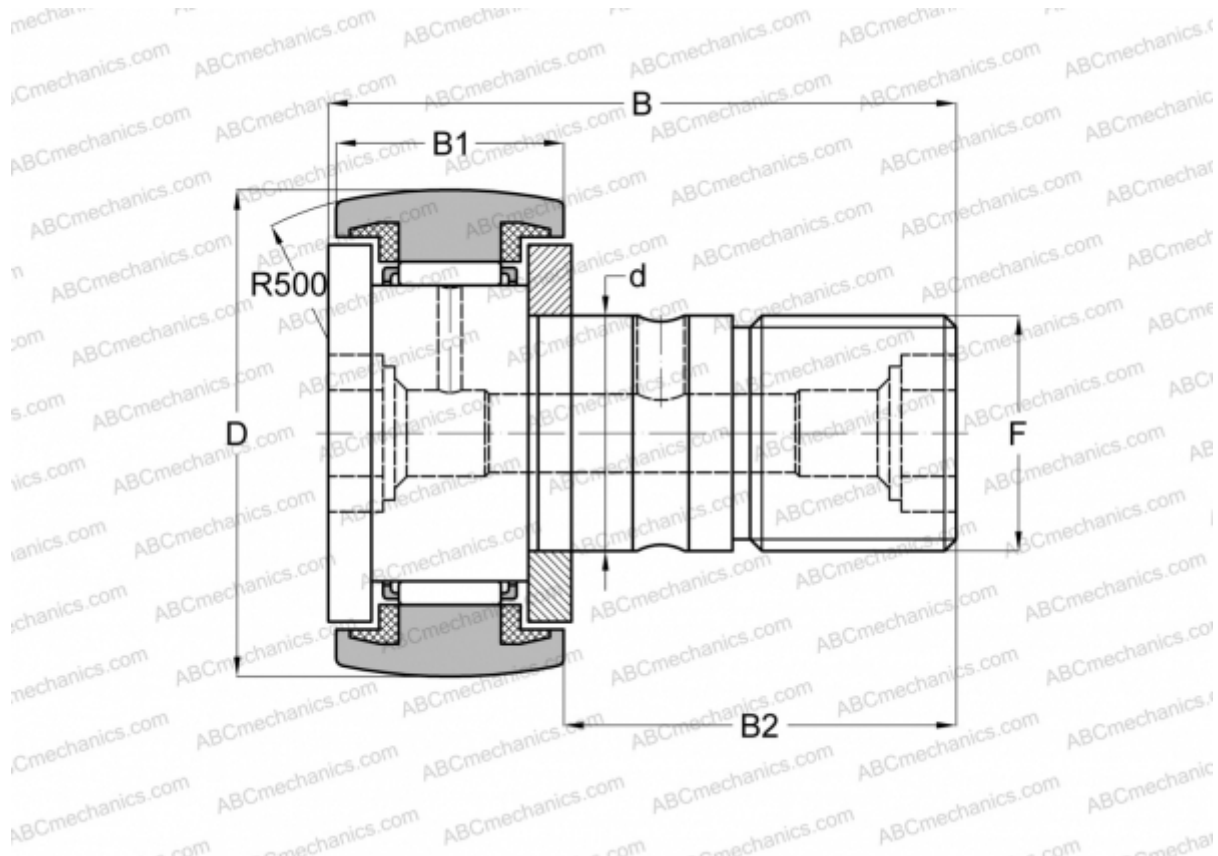


## CR 24 BUUR ABC

Cam followers

TYPE: Roller bearings, Stud type track rollers, With axial guidance, sealing rings on both sides, hex socket, inch size



### Technical specification

#### DIMENSIONS, MM

d	15,875
D	38,100
B	61,119
B1	23,019
B2	38,100
C	5,000

**WEIGHT, KG** 0,225

**MANUFACTURER** [ABC](#)

#### INTERCHANGE

IKO	<a href="#">CR 24 BUUR</a>
INA	<a href="#">CFC 24 PPYSK</a>