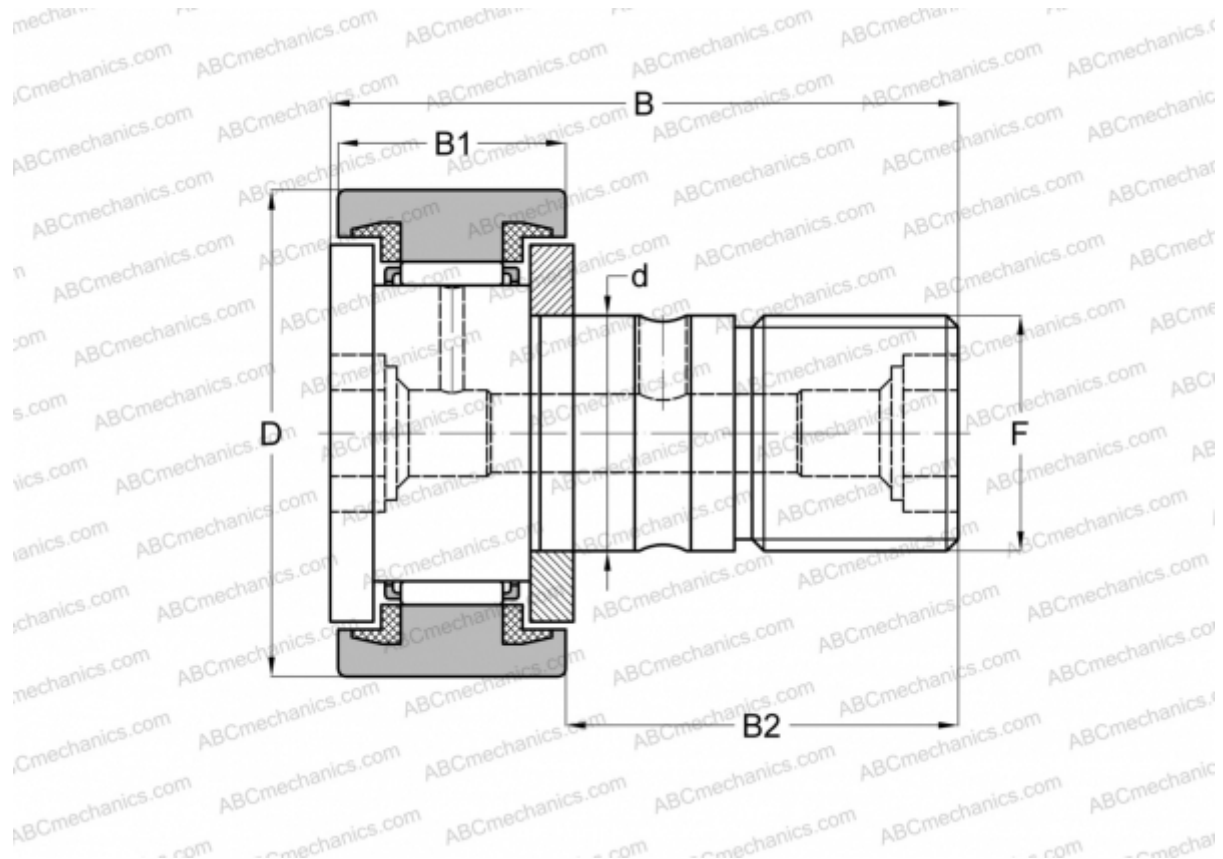


CR 8-1 BUU IKO

Cam followers

TYPE: Roller bearings, Stud type track rollers, With axial guidance, sealing rings on both sides, cylindrical outer ring, hex socket, inch size



Technical specification

DIMENSIONS, MM

d	4,826
D	12,700
B	26,194
B1	10,319
B2	15,875

WEIGHT, KG 0,010

MANUFACTURER [IKO](#)

INTERCHANGE

ABC	CR 8-1 BUU
INA	CFC 8-1 PPSK

CALCULATION DATA

Basic dynamic load rating, C	2,520 kN
Basic static load rating, Co	2,140 kN