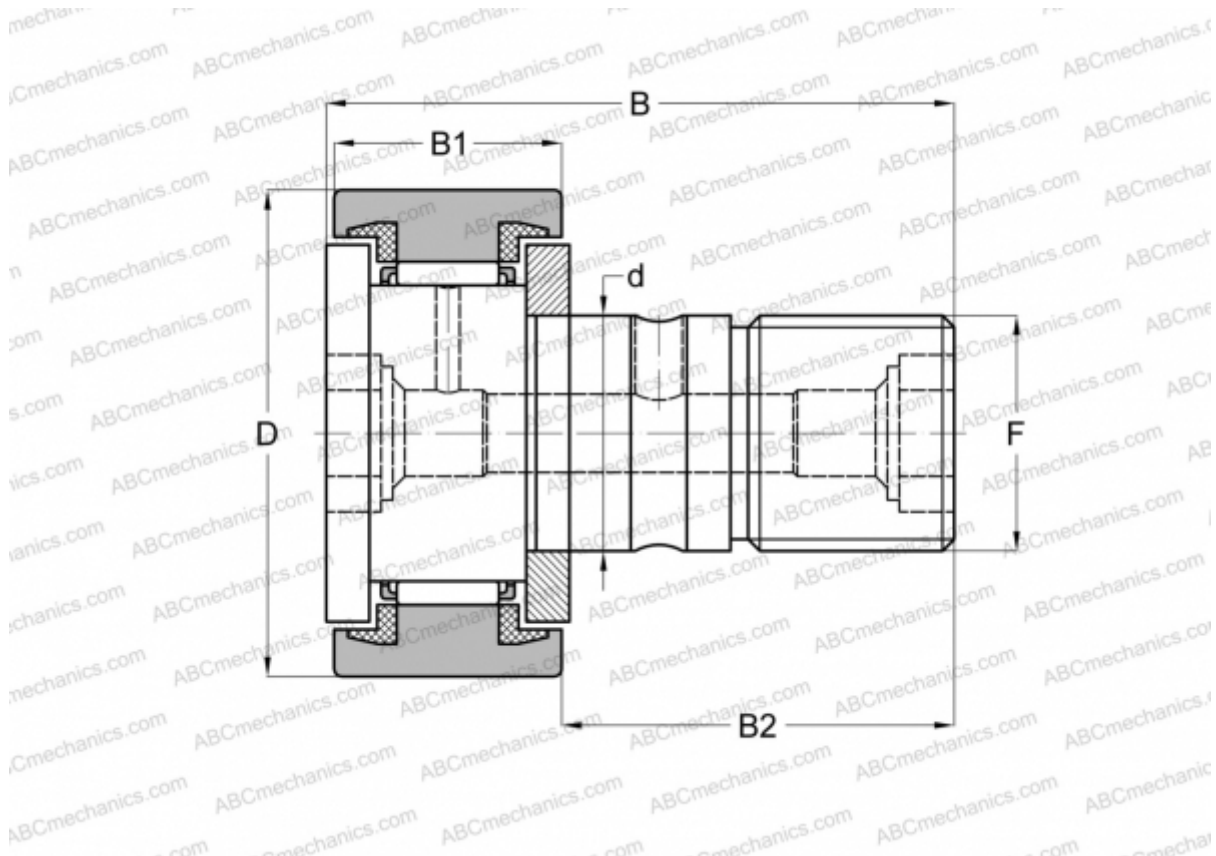


## CR 10 BUU ABC

Cam followers

TYPE: Roller bearings, Stud type track rollers, With axial guidance, sealing rings on both sides, cylindrical outer ring, hex socket, inch size



### Technical specification

#### DIMENSIONS, MM

d	6,350
D	15,875
B	26,987
B1	11,112
B2	15,875
C	1,000

**WEIGHT, KG** 0,019

**MANUFACTURER** [ABC](#)

#### INTERCHANGE

IKO [CR 10 BUU](#)