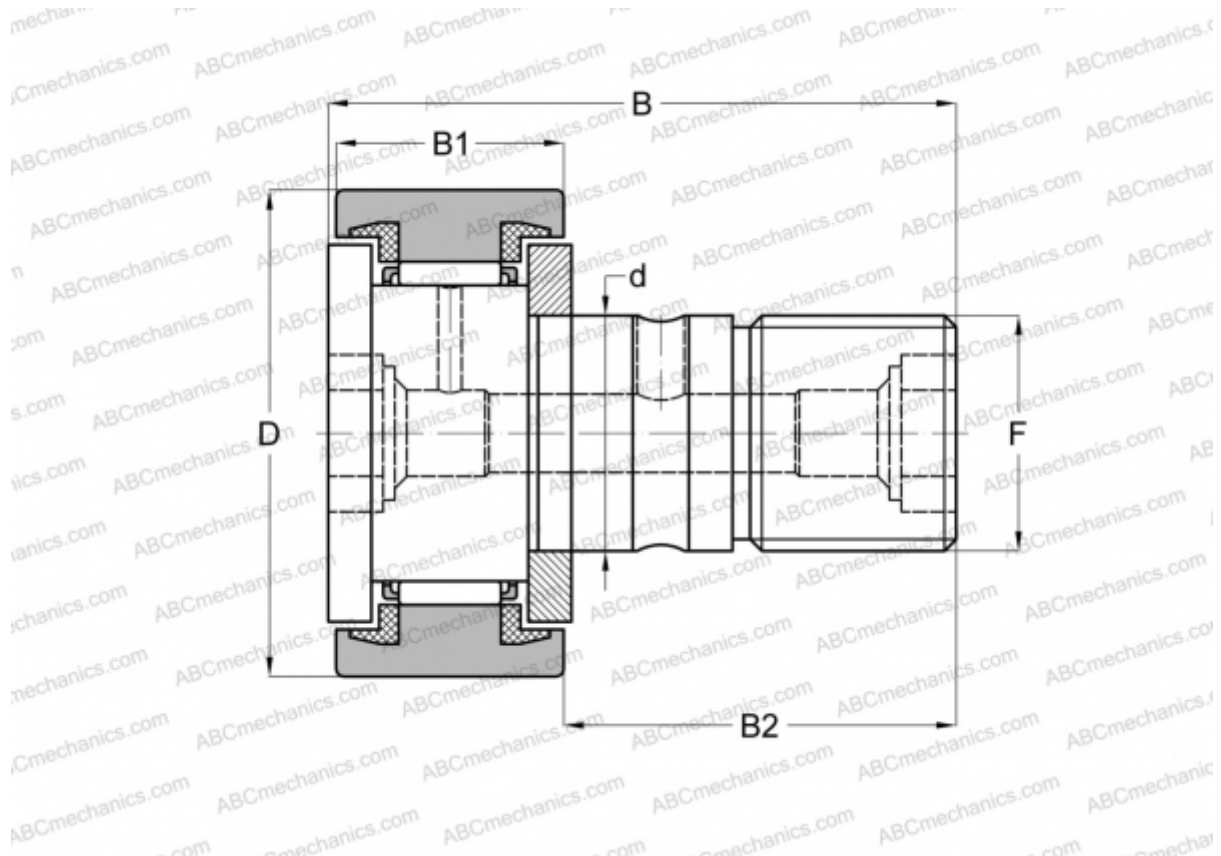


## CR 10-1 BUU ABC

Cam followers

TYPE: Roller bearings, Stud type track rollers, With axial guidance, sealing rings on both sides, cylindrical outer ring, hex socket, inch size



### Technical specification

#### DIMENSIONS, MM

d	6,350
D	15,875
B	30,956
B1	11,906
B2	19,050
C	1,000

**WEIGHT, KG** 0,021

**MANUFACTURER** [ABC](#)

#### INTERCHANGE

IKO	<a href="#">CR 10-1 BUU</a>
INA	<a href="#">CFC 10-1 PPSK</a>