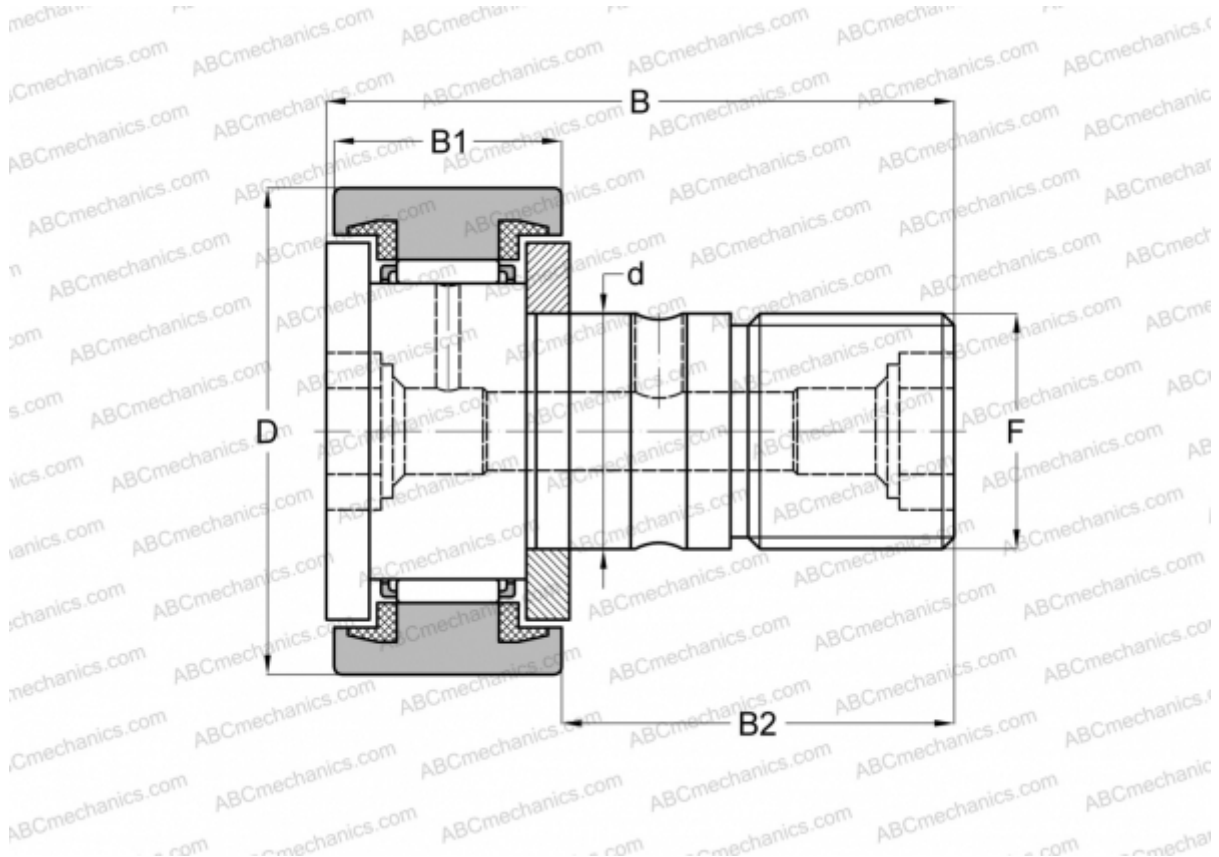


## CR 10-1 BUU IKO

Cam followers

TYPE: Roller bearings, Stud type track rollers, With axial guidance, sealing rings on both sides, cylindrical outer ring, hex socket, inch size



### Technical specification

#### DIMENSIONS, MM

|    |        |
|----|--------|
| d  | 6,350  |
| D  | 15,875 |
| B  | 30,956 |
| B1 | 11,906 |
| B2 | 19,050 |
| C  | 1,000  |

**WEIGHT, KG** 0,021

**MANUFACTURER** [IKO](#)

#### INTERCHANGE

|     |                               |
|-----|-------------------------------|
| ABC | <a href="#">CR 10-1 BUU</a>   |
| INA | <a href="#">CFC 10-1 PPSK</a> |

#### CALCULATION DATA

|                              |          |
|------------------------------|----------|
| Basic dynamic load rating, C | 3,650 kN |
|------------------------------|----------|

#### CALCULATION DATA

|                              |          |
|------------------------------|----------|
| Basic static load rating, Co | 3,670 kN |
|------------------------------|----------|