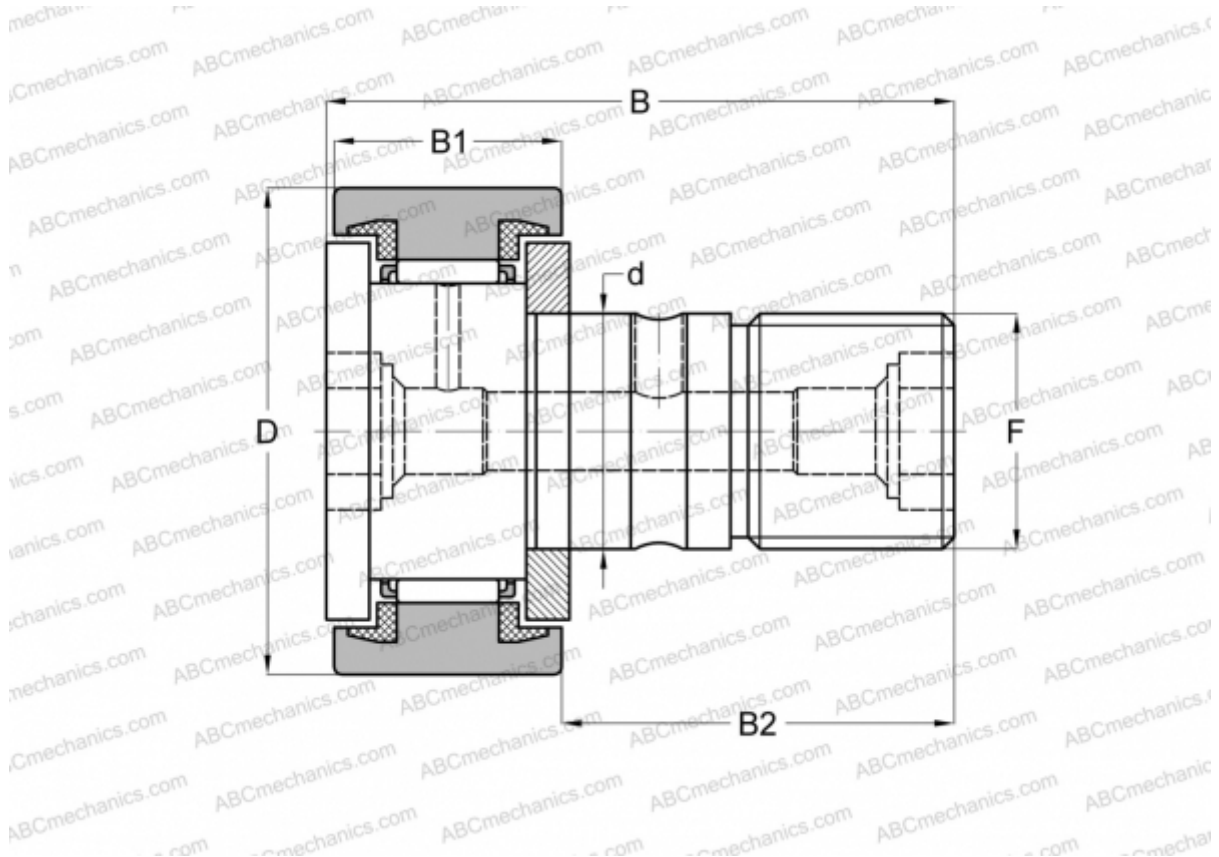


CR 12 BUU IKO

Cam followers

TYPE: Roller bearings, Stud type track rollers, With axial guidance, sealing rings on both sides, cylindrical outer ring, hex socket, inch size



Technical specification

DIMENSIONS, MM

d	9,525
D	19,050
B	35,719
B1	13,494
B2	22,225
C	3,000

WEIGHT, KG 0,035

MANUFACTURER [IKO](#)

INTERCHANGE

ABC	CR 12 BUU
INA	CFC 12 PPSK

CALCULATION DATA

Basic dynamic load rating, C	4,420 kN
------------------------------	----------

CALCULATION DATA

Basic static load rating, Co	5,110 kN
------------------------------	----------