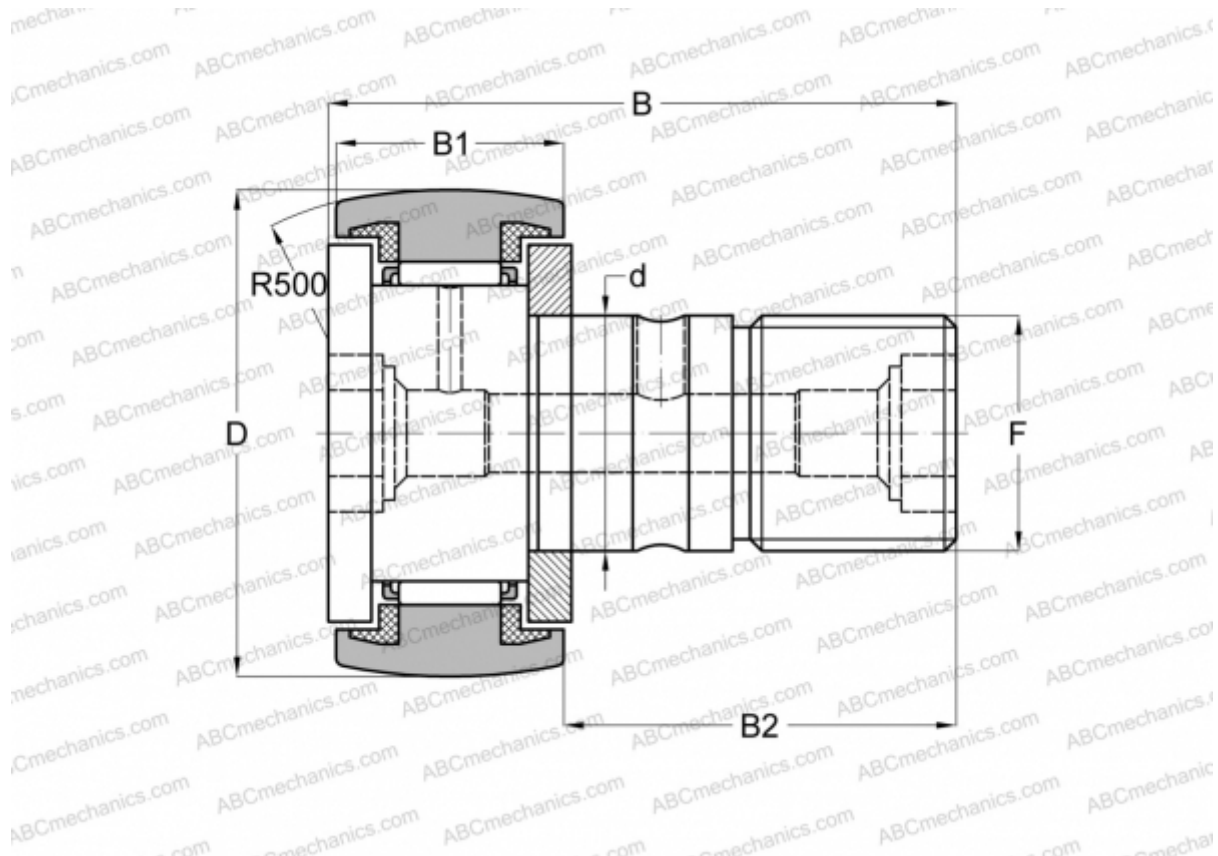


## CR 8 UUR IKO

Cam followers

TYPE: Roller bearings, Stud type track rollers, With axial guidance, sealing rings on both sides, inch size



### Technical specification

#### DIMENSIONS, MM

d	4,826
D	12,700
B	22,225
B1	9,525
B2	12,700
F	NO. 10-32

**MANUFACTURER** [IKO](#)

#### INTERCHANGE

ABC	<a href="#">CR 8 UUR</a>
-----	--------------------------

#### CALCULATION DATA

Basic dynamic load rating, C	2,520 kN
Basic static load rating, Co	2,140 kN