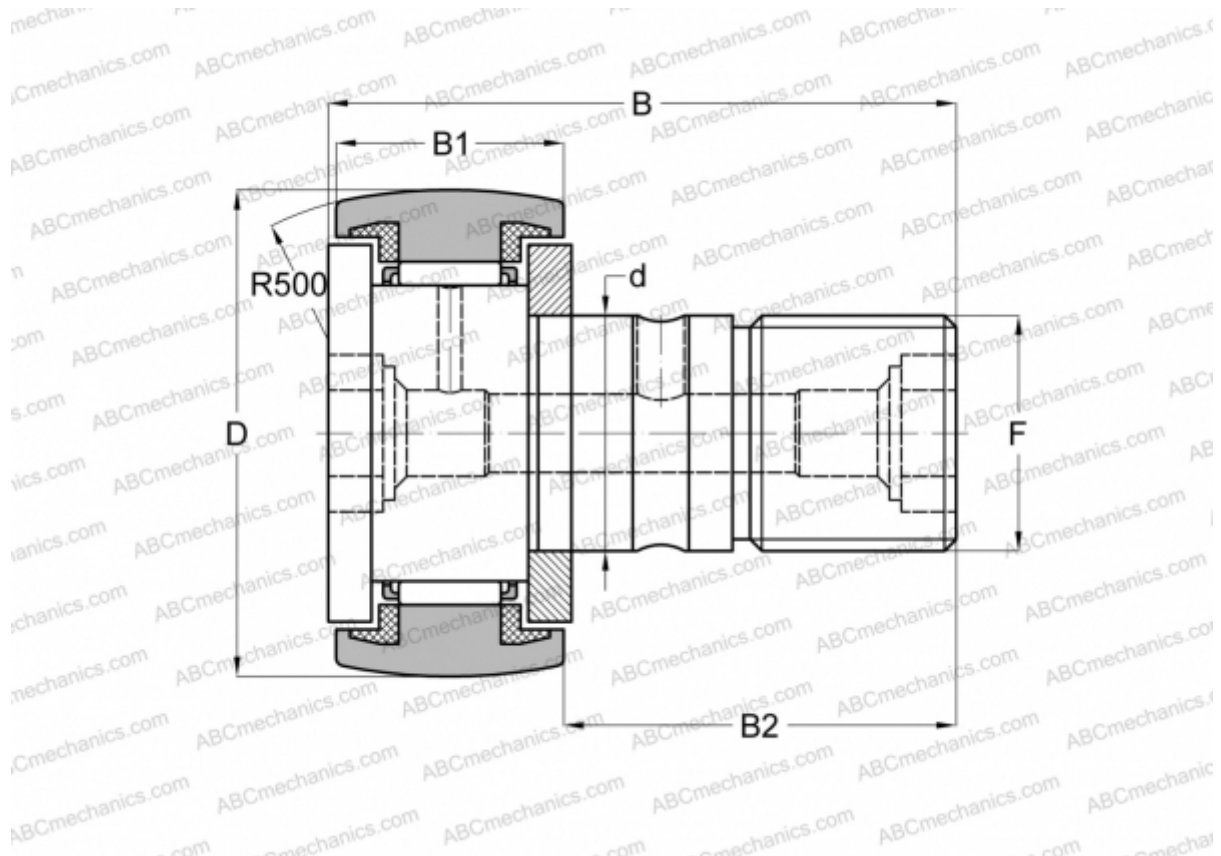


## CR 8-1 UUR ABC

Cam followers

TYPE: Roller bearings, Stud type track rollers, With axial guidance, sealing rings on both sides, inch size



### Technical specification

#### DIMENSIONS, MM

d	4,826
D	12,700
B	26,194
B1	10,319
B2	15,875
F	NO. 10-32

**MANUFACTURER** [ABC](#)

#### INTERCHANGE

IKO	<a href="#">CR 8-1 UUR</a>
INA	<a href="#">CFC 8-1 PPY</a>