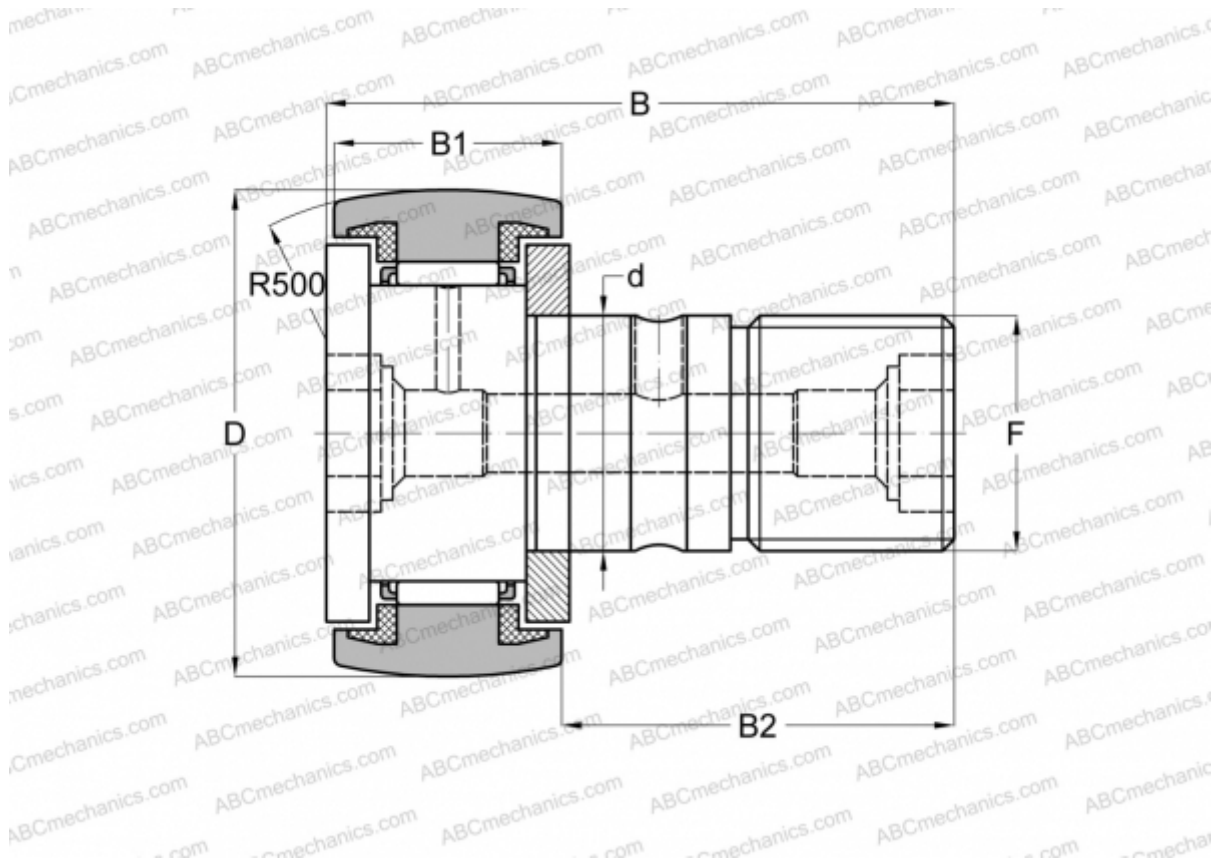


## CR 10 UUR ABC

Cam followers

TYPE: Roller bearings, Stud type track rollers, With axial guidance, sealing rings on both sides, inch size



### Technical specification

#### DIMENSIONS, MM

d	6,350
D	15,875
B	26,988
B1	11,112
B2	15,876
F	1/4-28

**WEIGHT, KG** 0,019

**MANUFACTURER** [ABC](#)

#### INTERCHANGE

IKO [CR 10 UUR](#)