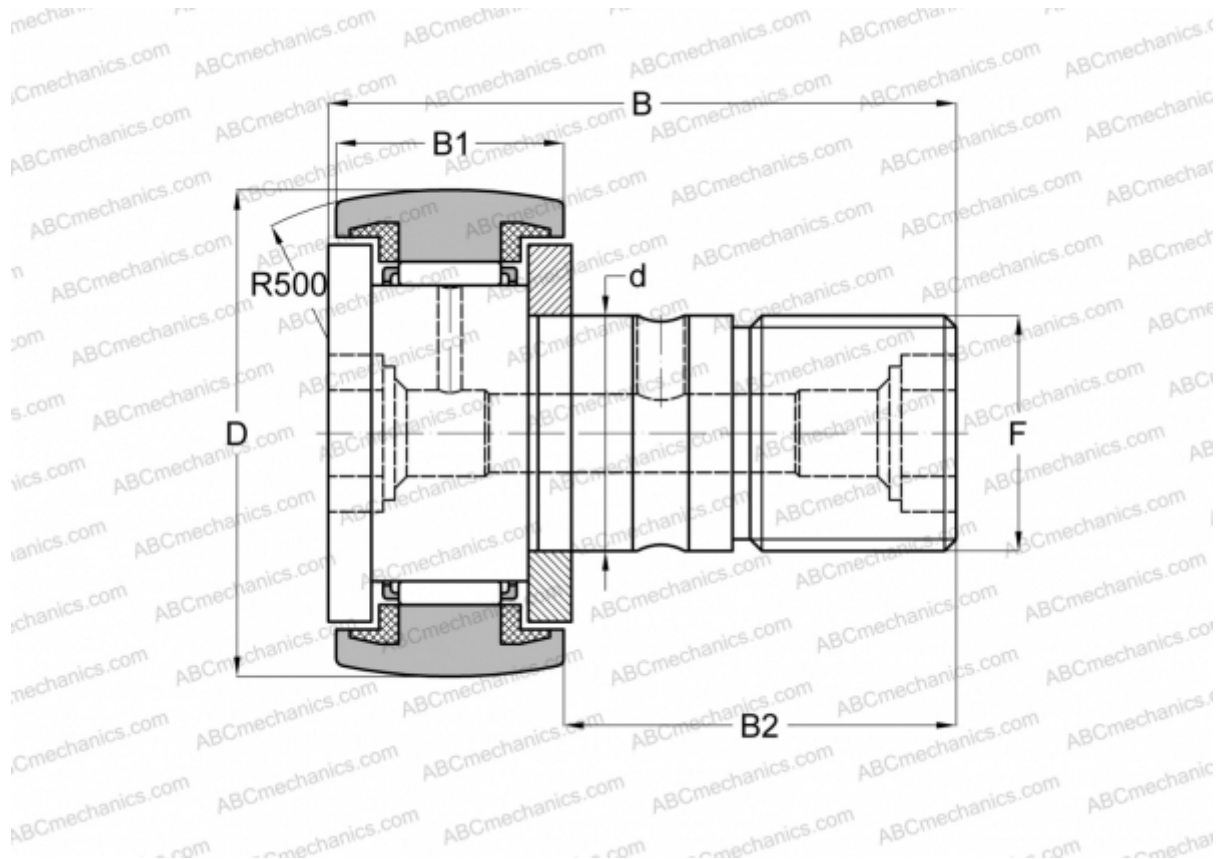


## CFC 10-1 PPY INA

Cam followers

TYPE: Roller bearings, Stud type track rollers, With axial guidance, sealing rings on both sides, inch size



### Technical specification

#### DIMENSIONS, MM

d	6,350
D	15,875
B	30,956
B1	11,906
B2	19,050
F	1/4-28

**WEIGHT, KG** 0,021

**MANUFACTURER** [INA](#)

#### INTERCHANGE

ABC	<a href="#">CR 10-1 UUR</a>
IKO	<a href="#">CR 10-1 UUR</a>