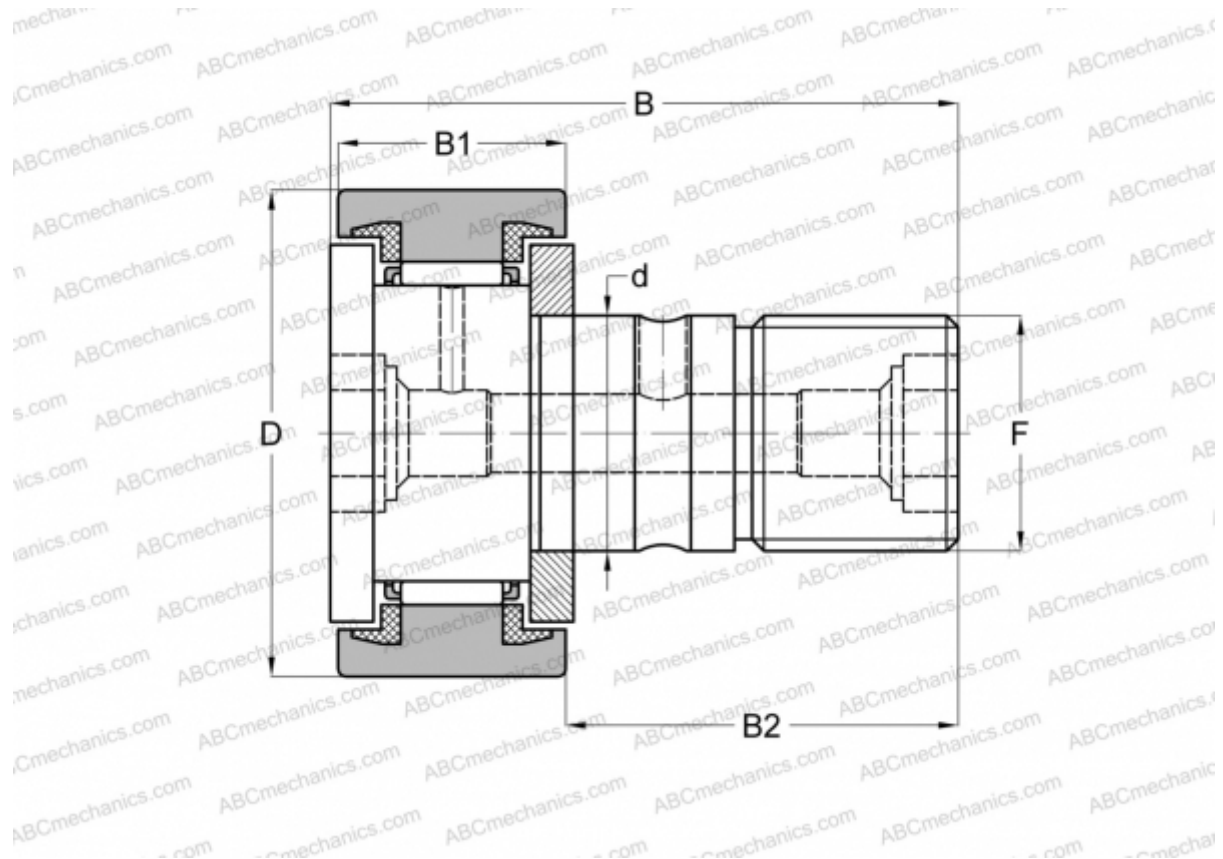


## CR 10-1 UU IKO

Cam followers

TYPE: Roller bearings, Stud type track rollers, With axial guidance, sealing rings on both sides, cylindrical outer ring, inch size



### Technical specification

#### DIMENSIONS, MM

d	6,350
D	15,875
B	30,956
B1	11,906
B2	19,050
F	1/4-28

**WEIGHT, KG** 0,021

**MANUFACTURER** [IKO](#)

#### INTERCHANGE

ABC	<a href="#">CR 10-1 UU</a>
INA	<a href="#">CFC 10-1 PP</a>

#### CALCULATION DATA

Basic dynamic load rating, C	3,650 kN
------------------------------	----------

#### CALCULATION DATA

Basic static load rating, Co	3,670 kN
------------------------------	----------