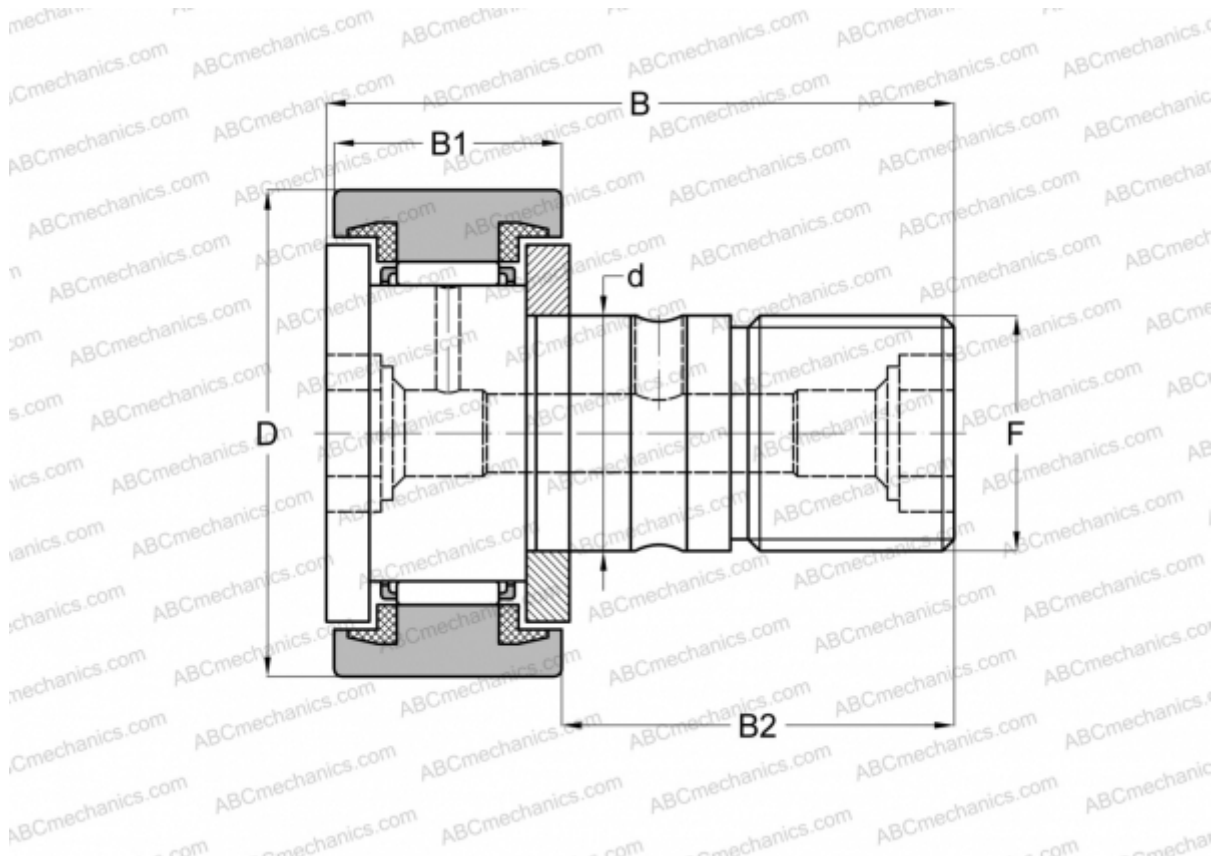


CR 14 UU ABC

Cam followers

TYPE: Roller bearings, Stud type track rollers, With axial guidance, sealing rings on both sides, cylindrical outer ring, inch size



Technical specification

DIMENSIONS, MM

| | |
|----|--------|
| d | 9,525 |
| D | 22,225 |
| B | 35,719 |
| B1 | 13,494 |
| B2 | 22,225 |
| F | 3/8-24 |

WEIGHT, KG 0,046

MANUFACTURER [ABC](#)

INTERCHANGE

| | |
|-----|---------------------------|
| IKO | CR 14 UU |
| INA | CFC 14 PP |