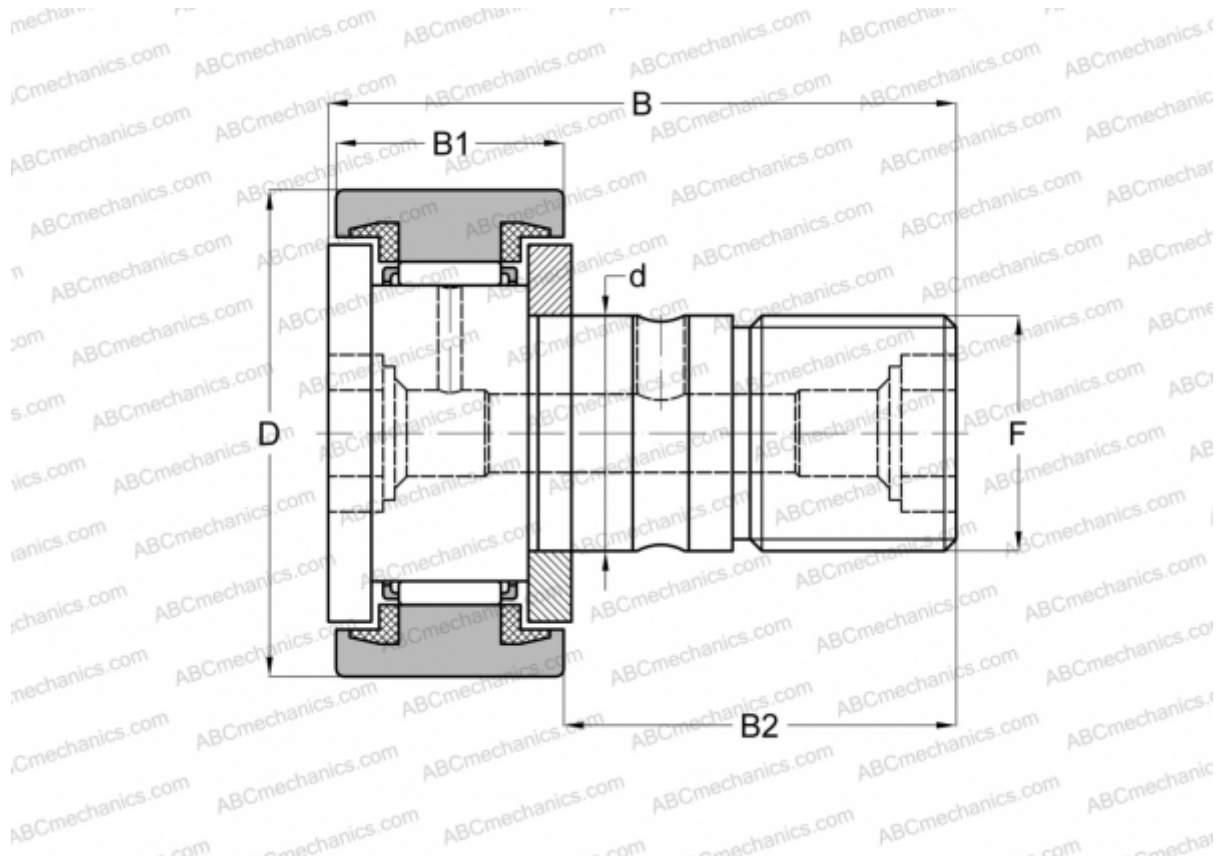


## CFC 20 PP INA

Cam followers

TYPE: Roller bearings, Stud type track rollers, With axial guidance, sealing rings on both sides, cylindrical outer ring, inch size



### Technical specification

#### DIMENSIONS, MM

d	12,700
D	31,750
B	51,594
B1	19,844
B2	31,750
F	1/2-20

**WEIGHT, KG** 0,132

**MANUFACTURER** [INA](#)

#### INTERCHANGE

ABC	<a href="#">CR 20 UU</a>
IKO	<a href="#">CR 20 UU</a>