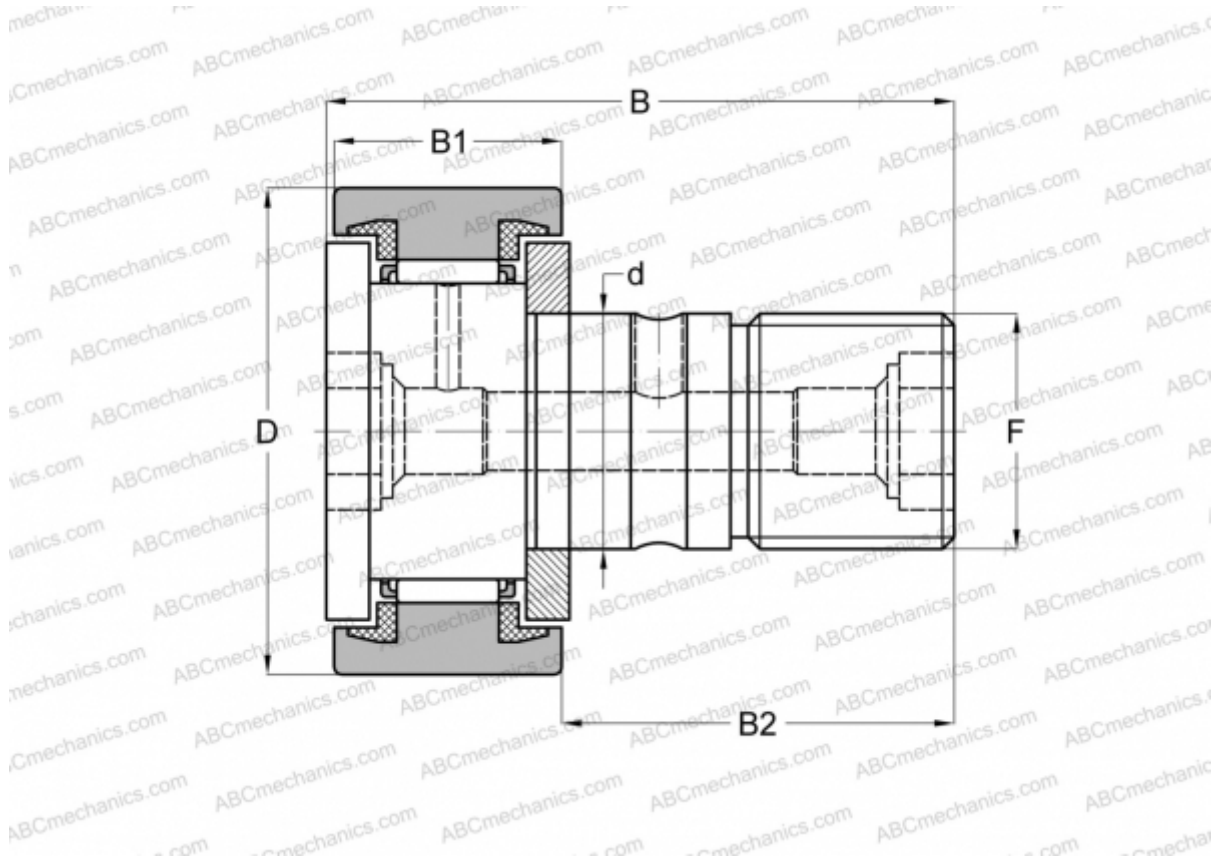


## CR 26 UU IKO

Cam followers

TYPE: Roller bearings, Stud type track rollers, With axial guidance, sealing rings on both sides, cylindrical outer ring, inch size



### Technical specification

#### DIMENSIONS, MM

d	15,875
D	41,275
B	61,119
B1	23,019
B2	38,100
F	5/8-18

**WEIGHT, KG** 0,260

**MANUFACTURER** [IKO](#)

#### INTERCHANGE

ABC	<a href="#">CR 26 UU</a>
INA	<a href="#">CFC 26 PP</a>

#### CALCULATION DATA

Basic dynamic load rating, C	18,600 kN
------------------------------	-----------

#### CALCULATION DATA

Basic static load rating, Co	24,300 kN
------------------------------	-----------