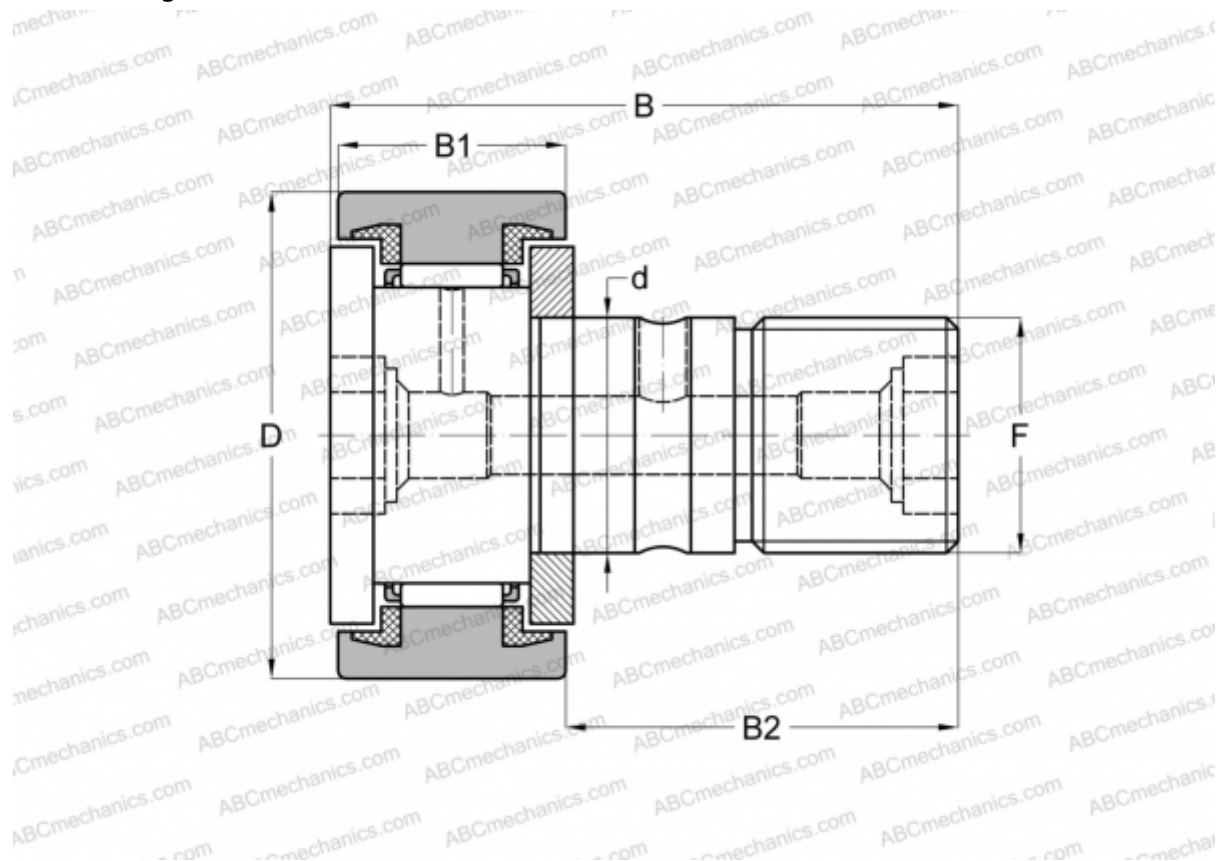


CR 36 UU IKO

Cam followers

TYPE: Roller bearings, Stud type track rollers, With axial guidance, sealing rings on both sides, cylindrical outer ring, inch size



Technical specification

DIMENSIONS, MM

| | |
|----|--------|
| d | 22,225 |
| D | 57,150 |
| B | 83,344 |
| B1 | 32,544 |
| B2 | 50,800 |
| F | 7/8-14 |

WEIGHT, KG 0,750

MANUFACTURER [IKO](#)

INTERCHANGE

| | |
|-----|---------------------------|
| ABC | CR 36 UU |
| INA | CFC 36 PP |

CALCULATION DATA

| | |
|------------------------------|-----------|
| Basic dynamic load rating, C | 32,500 kN |
|------------------------------|-----------|

CALCULATION DATA

| | |
|------------------------------|-----------|
| Basic static load rating, Co | 63,900 kN |
|------------------------------|-----------|