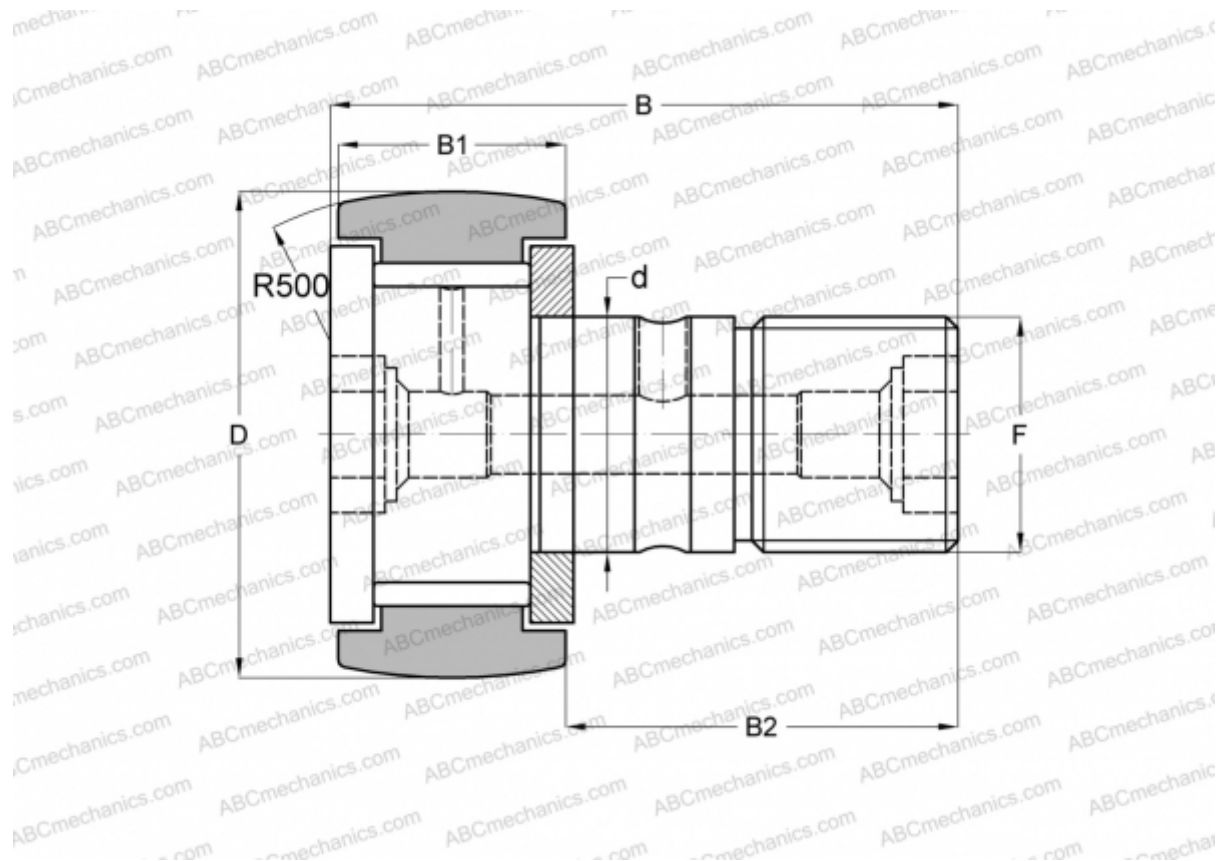


CR 8 VBR ABC

Cam followers

TYPE: Roller bearings, Stud type track rollers, With axial guidance, full complement bearing, gap seal on both side, hex socket, inch size



Technical specification

DIMENSIONS, MM

d	4,826
D	12,700
B	22,225
B1	9,525
B2	12,700
F	NO. 10-32

WEIGHT, KG 0,009

MANUFACTURER [ABC](#)

INTERCHANGE

IKO	CR 8 VBR
TORRINGTON	CRBC-8
McGill	CCF-1/2-N-B