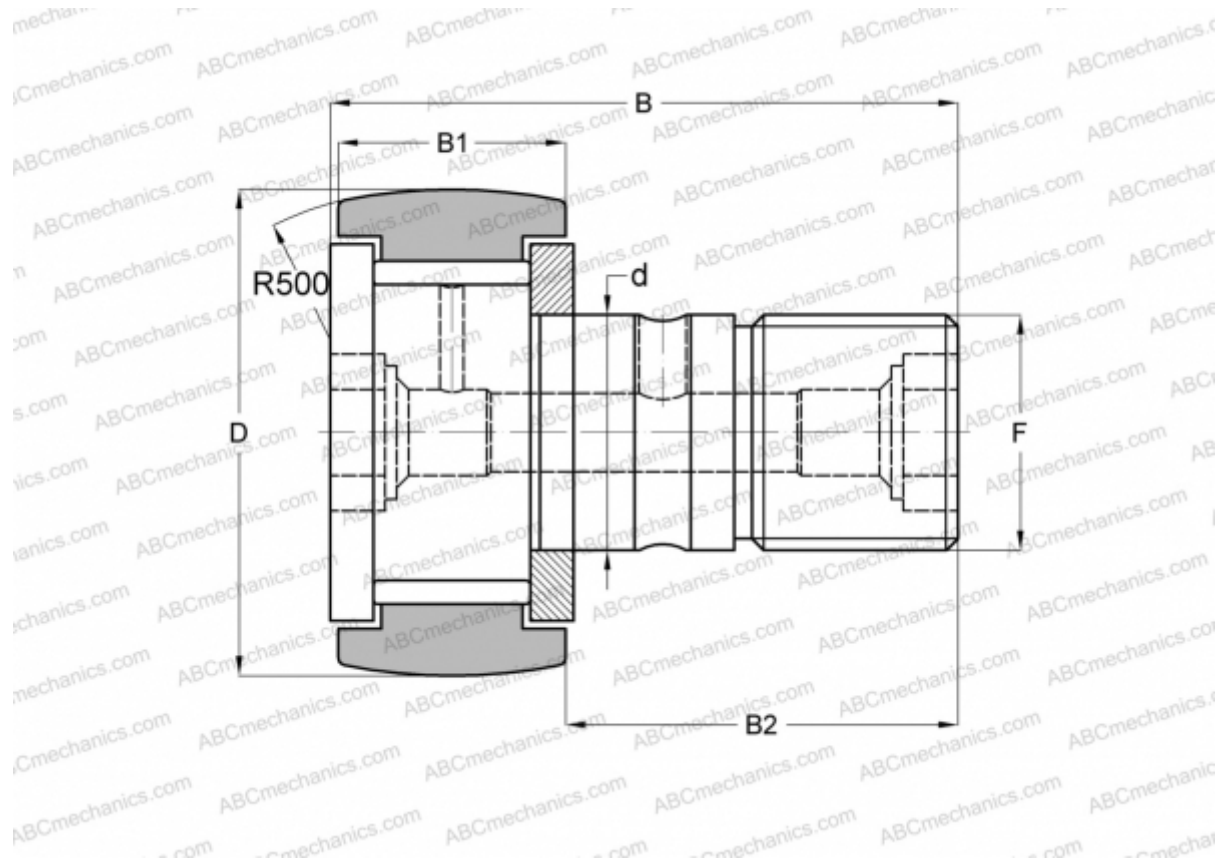


## CCF-1/2-B McGill

Cam followers

TYPE: Roller bearings, Stud type track rollers, With axial guidance, full complement bearing, gap seal on both side, hex socket, inch size



### Technical specification

#### DIMENSIONS, MM

d	4,826
D	12,700
B	26,194
B1	10,319
B2	15,875
F	NO. 10-32

**WEIGHT, KG** 0,010

**MANUFACTURER** [McGill](#)

#### INTERCHANGE

ABC	<a href="#">CR 8-1 VBR</a>
IKO	<a href="#">CR 8-1 VBR</a>
TORRINGTON	<a href="#">CRBC-8-1</a>
INA	<a href="#">CF 8-1 YSK</a>