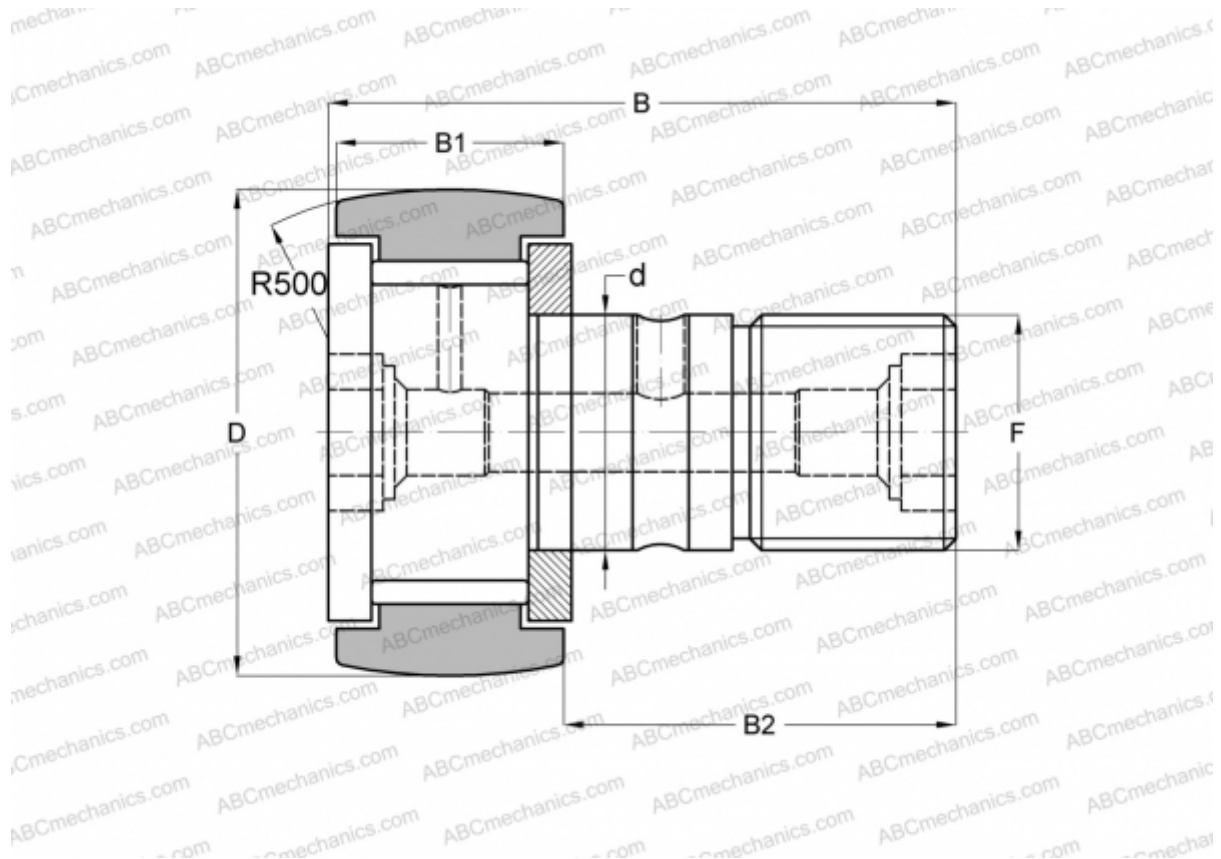


CCF-5/8-B McGill

Cam followers

TYPE: Roller bearings, Stud type track rollers, With axial guidance, full complement bearing, gap seal on both side, hex socket, inch size



Technical specification

DIMENSIONS, MM

d	6,350
D	15,875
B	30,956
B1	11,906
B2	19,050
F	1/4-28

WEIGHT, KG 0,021

MANUFACTURER [McGill](#)

INTERCHANGE

ABC	CR 10-1 VBR
IKO	CR 10-1 VBR
TORRINGTON	CRBC-10-1
INA	CF 10-1 YSK