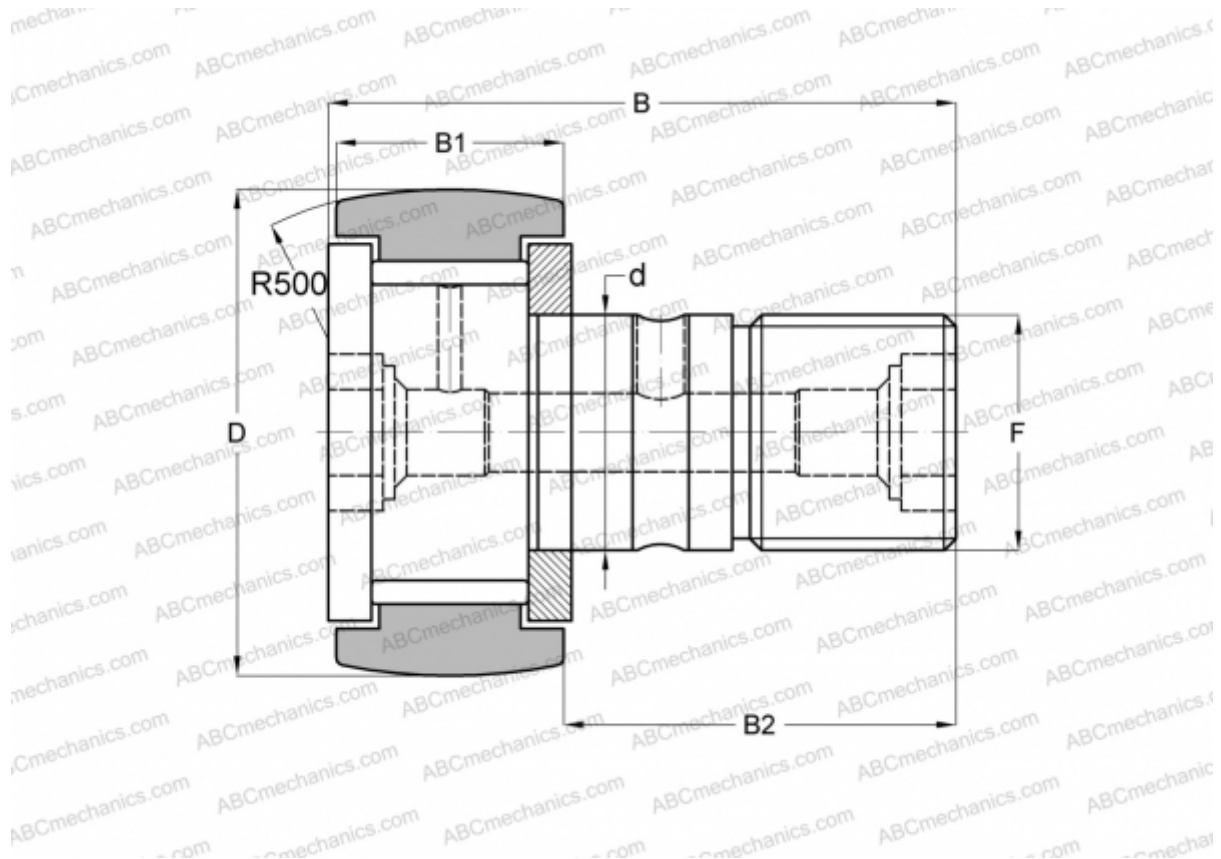


## CCF-3/4-B McGill

Cam followers

TYPE: Roller bearings, Stud type track rollers, With axial guidance, full complement bearing, gap seal on both side, hex socket, inch size



### Technical specification

#### DIMENSIONS, MM

d	9,525
D	19,050
B	35,719
B1	13,494
B2	22,225
F	3/8-24

**WEIGHT, KG** 0,035

**MANUFACTURER** [McGill](#)

#### INTERCHANGE

ABC	<a href="#">CR 12 VBR</a>
IKO	<a href="#">CR 12 VBR</a>
TORRINGTON	<a href="#">CRBC-12</a>
INA	<a href="#">CF 12 YSK</a>