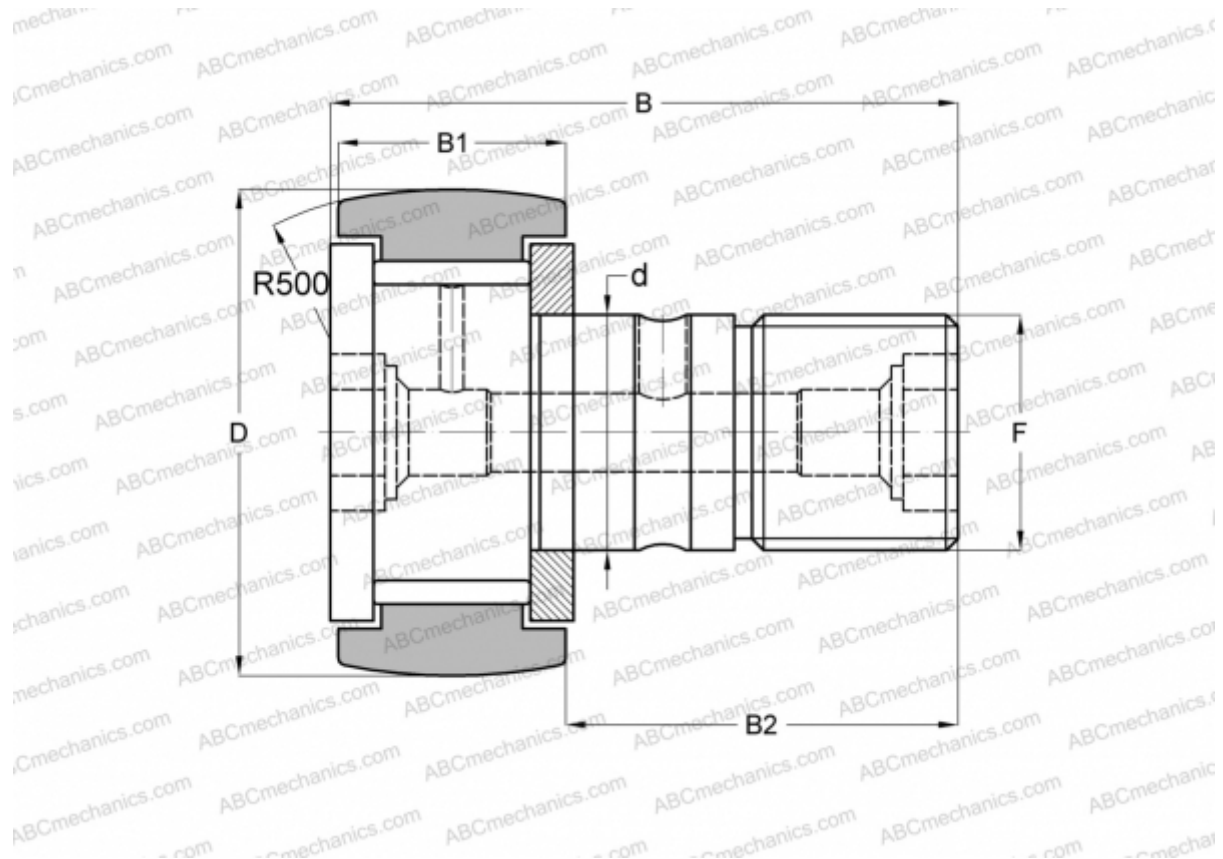


CR 16 VBR IKO

Cam followers

TYPE: Roller bearings, Stud type track rollers, With axial guidance, full complement bearing, gap seal on both side, hex socket, inch size



Technical specification

DIMENSIONS, MM

d	11,112
D	25,400
B	42,069
B1	16,669
B2	25,400
F	7/16-20

WEIGHT, KG 0,073

MANUFACTURER [IKO](#)

INTERCHANGE

ABC	CR 16 VBR
TORRINGTON	CRBC-16
INA	CF 16 YSK
McGill	CCF-1-B

CALCULATION DATA

Basic dynamic load rating, C	13,100 kN
Basic static load rating, Co	22,700 kN