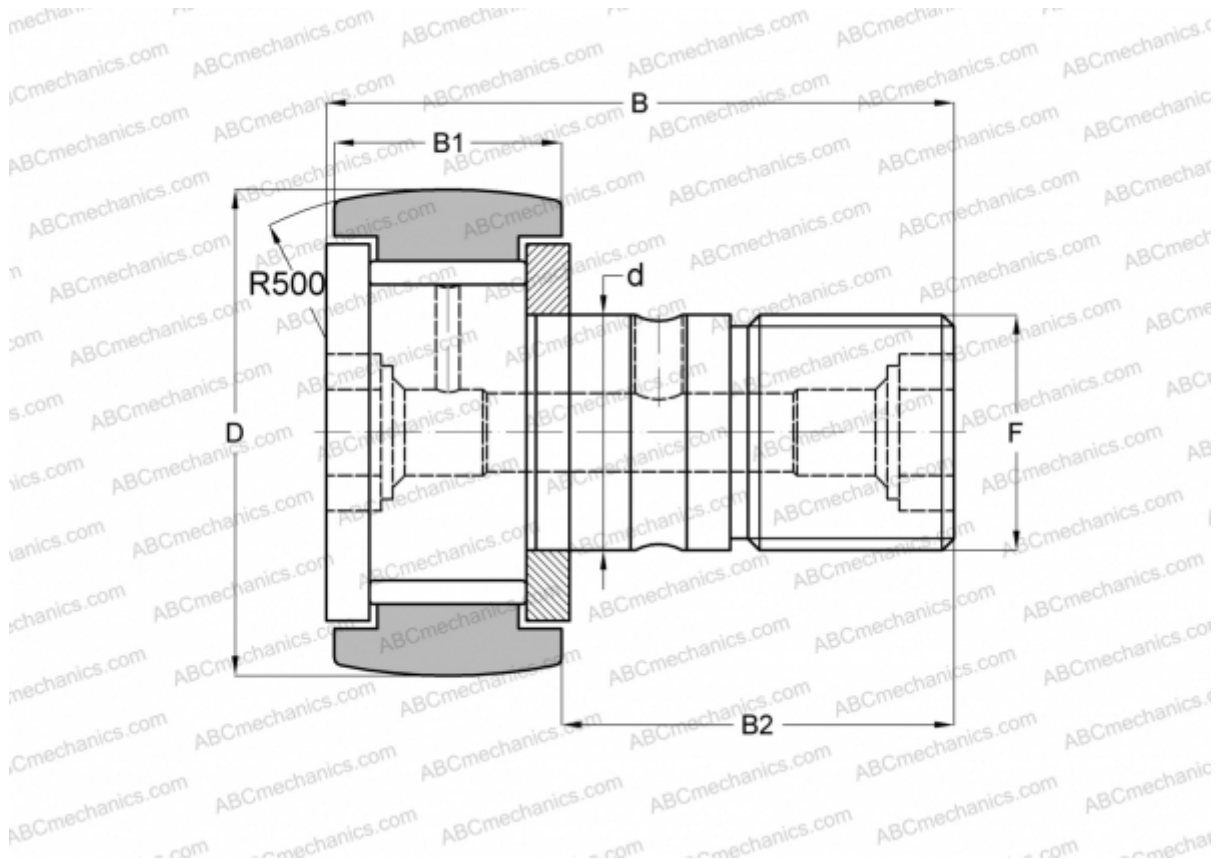


## CRBC-20 TORRINGTON

Cam followers

TYPE: Roller bearings, Stud type track rollers, With axial guidance, full complement bearing, gap seal on both side, hex socket, inch size



### Technical specification

#### DIMENSIONS, MM

d	12,700
D	31,750
B	51,594
B1	19,844
B2	31,750
F	1/2-20

**WEIGHT, KG** 0,132

**MANUFACTURER** [TORRINGTON](#)

#### INTERCHANGE

ABC	<a href="#">CR 20 VBR</a>
IKO	<a href="#">CR 20 VBR</a>
INA	<a href="#">CF 20 YSK</a>
McGill	<a href="#">CCF-1 1/4-B</a>