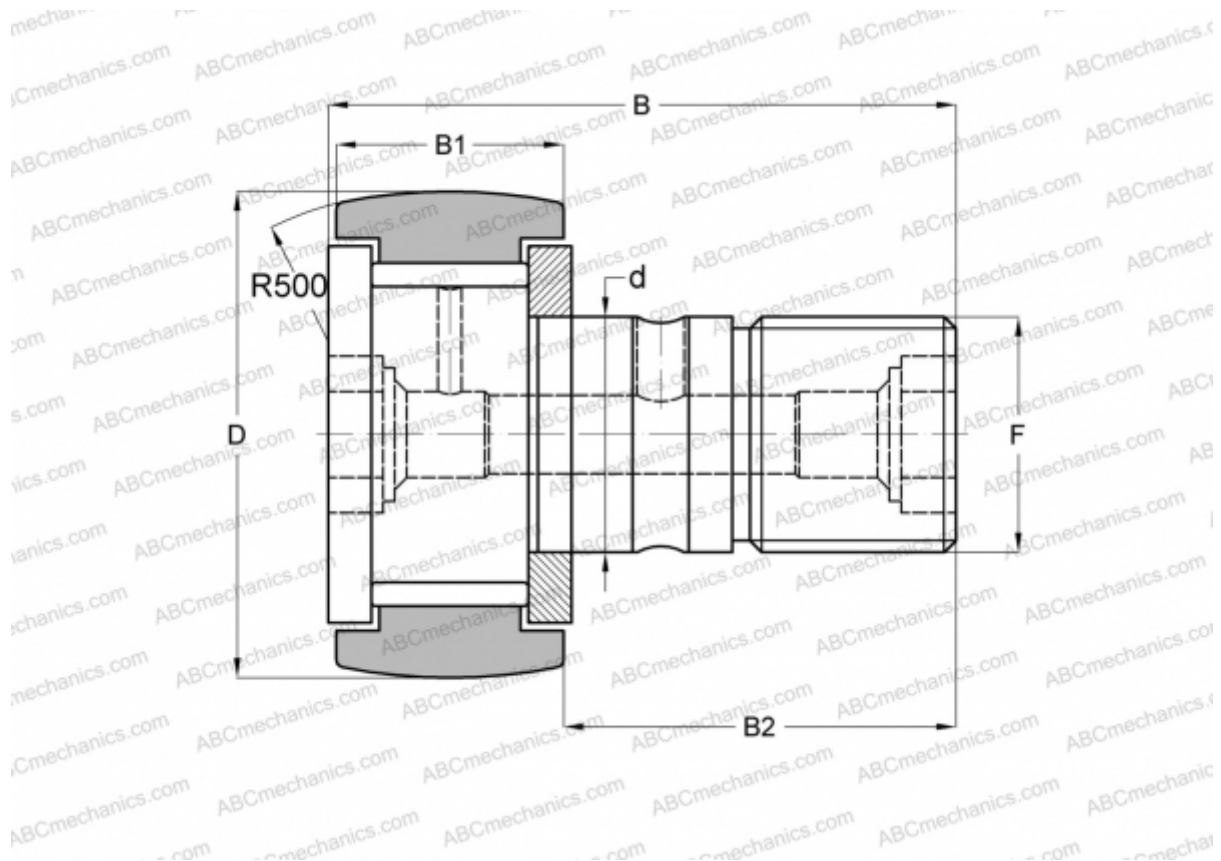


## CF 22 YSK INA

Cam followers

TYPE: Roller bearings, Stud type track rollers, With axial guidance, full complement bearing, gap seal on both side, hex socket, inch size



### Technical specification

#### DIMENSIONS, MM

|    |        |
|----|--------|
| d  | 12,700 |
| D  | 34,925 |
| B  | 51,594 |
| B1 | 19,844 |
| B2 | 31,750 |
| F  | 1/2-20 |

**WEIGHT, KG** 0,157

**MANUFACTURER** [INA](#)

#### INTERCHANGE

|            |                             |
|------------|-----------------------------|
| ABC        | <a href="#">CR 22 VBR</a>   |
| IKO        | <a href="#">CR 22 VBR</a>   |
| TORRINGTON | <a href="#">CRBC-22</a>     |
| McGill     | <a href="#">CCF-1 3/8-B</a> |