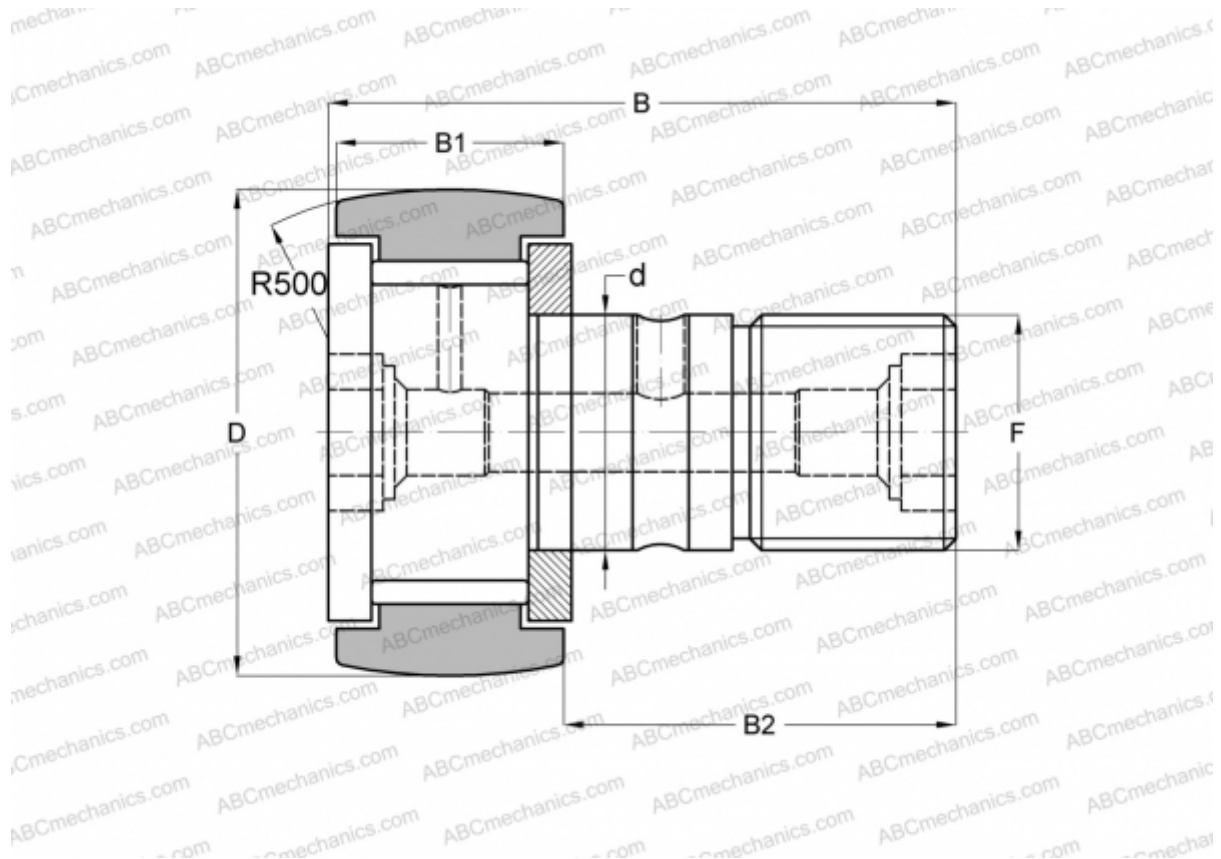


CRBC-24 TORRINGTON

Cam followers

TYPE: Roller bearings, Stud type track rollers, With axial guidance, full complement bearing, gap seal on both side, hex socket, inch size



Technical specification

DIMENSIONS, MM

d	15,875
D	38,100
B	61,119
B1	23,019
B2	38,100
F	5/8-18

WEIGHT, KG 0,225

MANUFACTURER [TORRINGTON](#)

INTERCHANGE

ABC	CR 24 VBR
IKO	CR 24 VBR
INA	CF 24 YSK
McGill	CCF-1 1/2-B