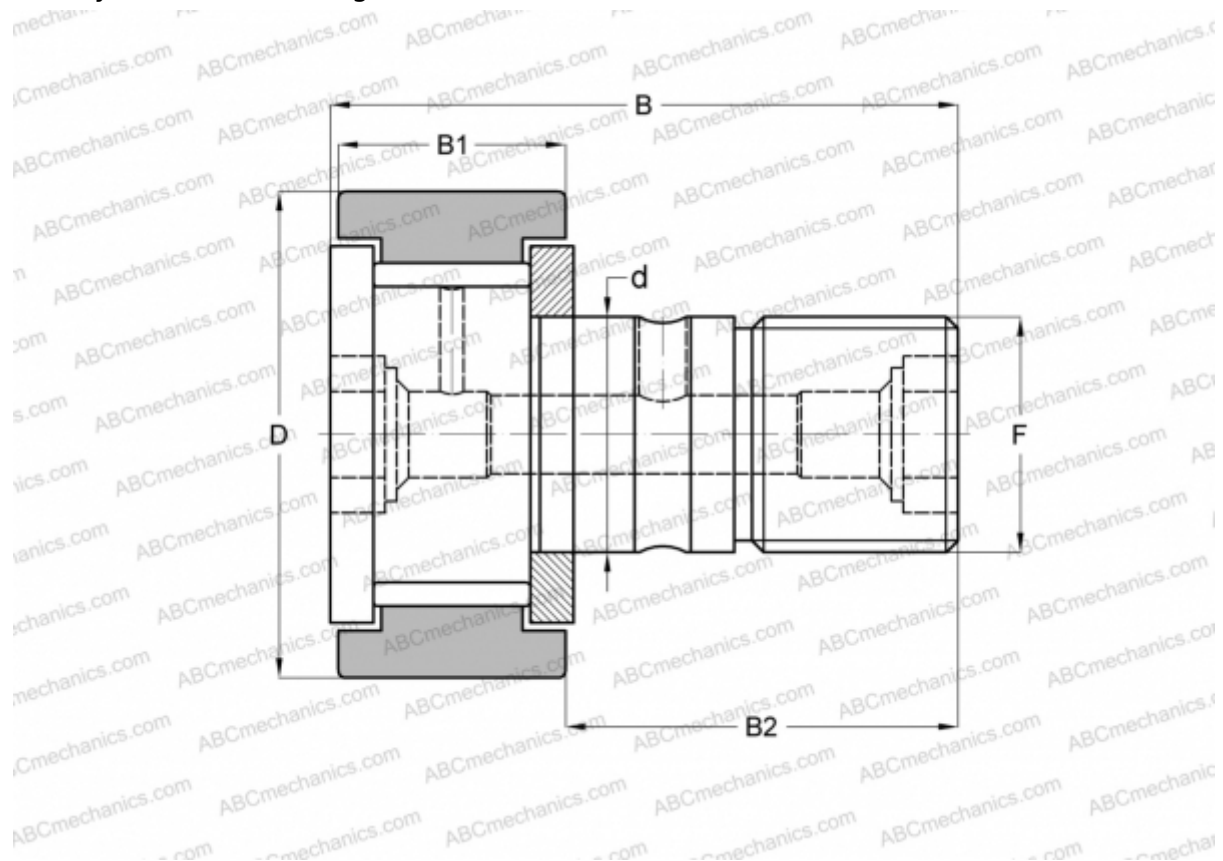


## CR 8 VB ABC

Cam followers

TYPE: Roller bearings, Stud type track rollers, With axial guidance, full complement bearing, gap seal on both side, cylindrical outer ring, hex socket, inch size



### Technical specification

#### DIMENSIONS, MM

d	4,826
D	12,700
B	22,225
B1	9,525
B2	12,700
F	NO. 10-32

**WEIGHT, KG** 0,009

**MANUFACTURER** [ABC](#)

#### INTERCHANGE

IKO	<a href="#">CR 8 VB</a>
TORRINGTON	<a href="#">CRB-8</a>
McGill	<a href="#">CF-1/2-N-B</a>