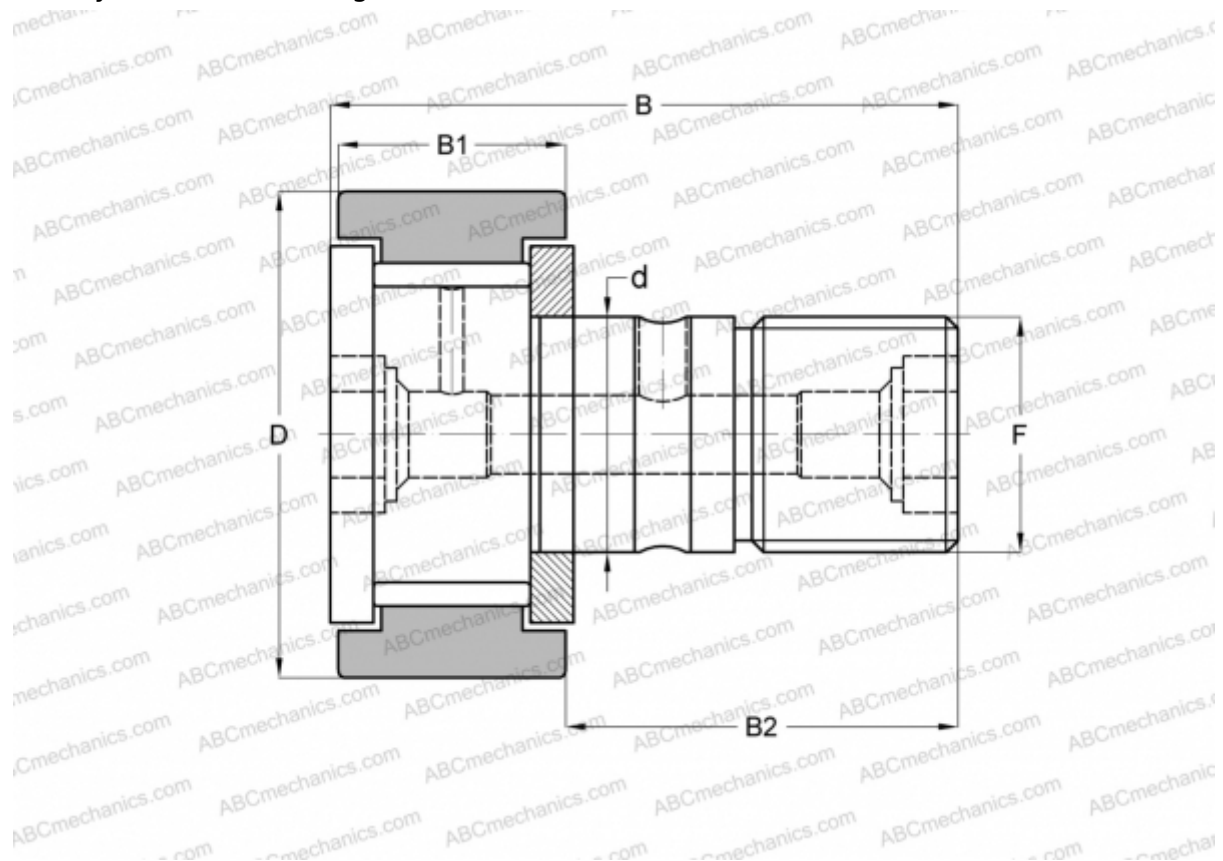


CF-1/2-B McGill

Cam followers

TYPE: Roller bearings, Stud type track rollers, With axial guidance, full complement bearing, gap seal on both side, cylindrical outer ring, hex socket, inch size



Technical specification

DIMENSIONS, MM

| | |
|----|-----------|
| d | 4,826 |
| D | 12,700 |
| B | 26,194 |
| B1 | 10,319 |
| B2 | 15,875 |
| F | NO. 10-32 |

WEIGHT, KG 0,010

MANUFACTURER [McGill](#)

INTERCHANGE

| | |
|------------|---------------------------|
| ABC | CR 8-1 VB |
| IKO | CR 8-1 VB |
| TORRINGTON | CRB-8-1 |
| INA | CF 8-1 SK |