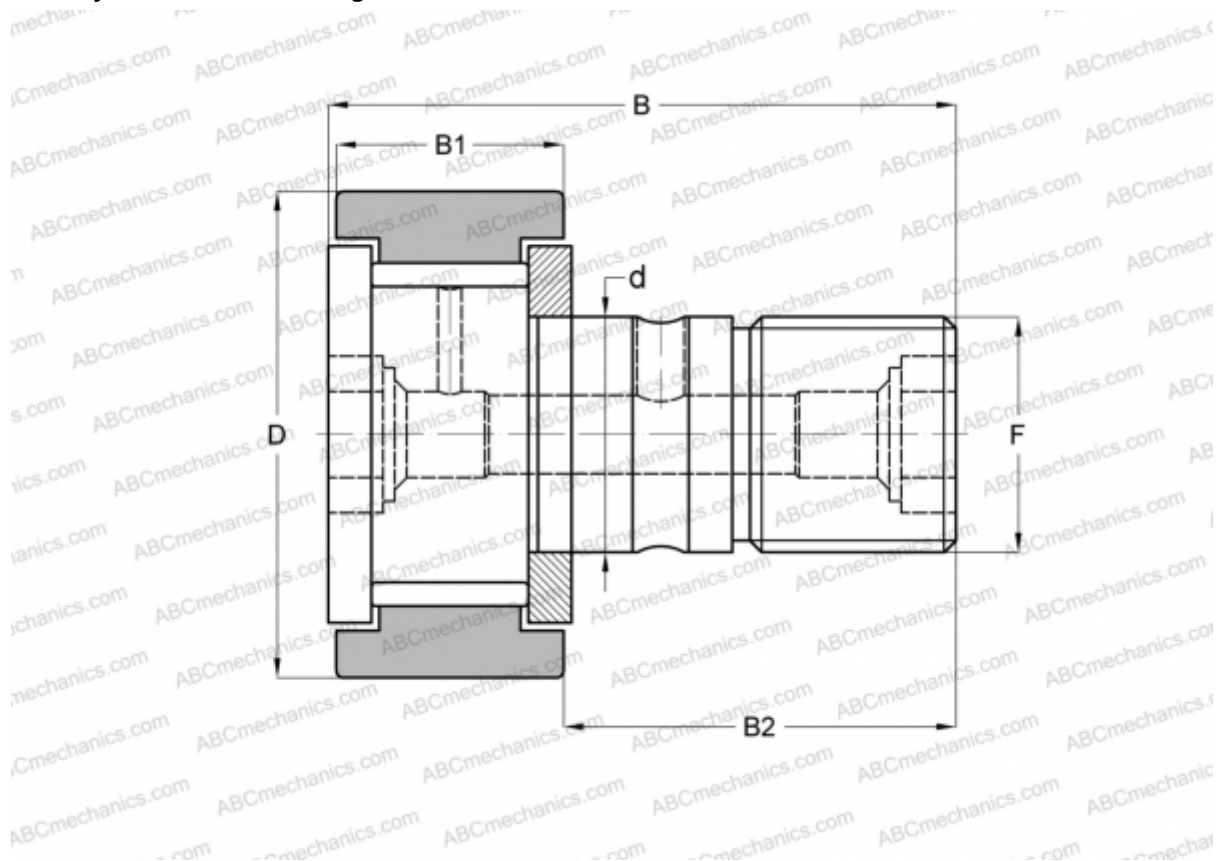


## CF 14 SK INA

Cam followers

TYPE: Roller bearings, Stud type track rollers, With axial guidance, full complement bearing, gap seal on both side, cylindrical outer ring, hex socket, inch size



### Technical specification

#### DIMENSIONS, MM

d	9,525
D	22,225
B	35,719
B1	13,494
B2	22,225
F	3/8-24

**WEIGHT, KG** 0,046

**MANUFACTURER** [INA](#)

#### INTERCHANGE

ABC	<a href="#">CR 14 VB</a>
IKO	<a href="#">CR 14 VB</a>
TORRINGTON	<a href="#">CRB-14</a>
McGill	<a href="#">CF-7/8-B</a>