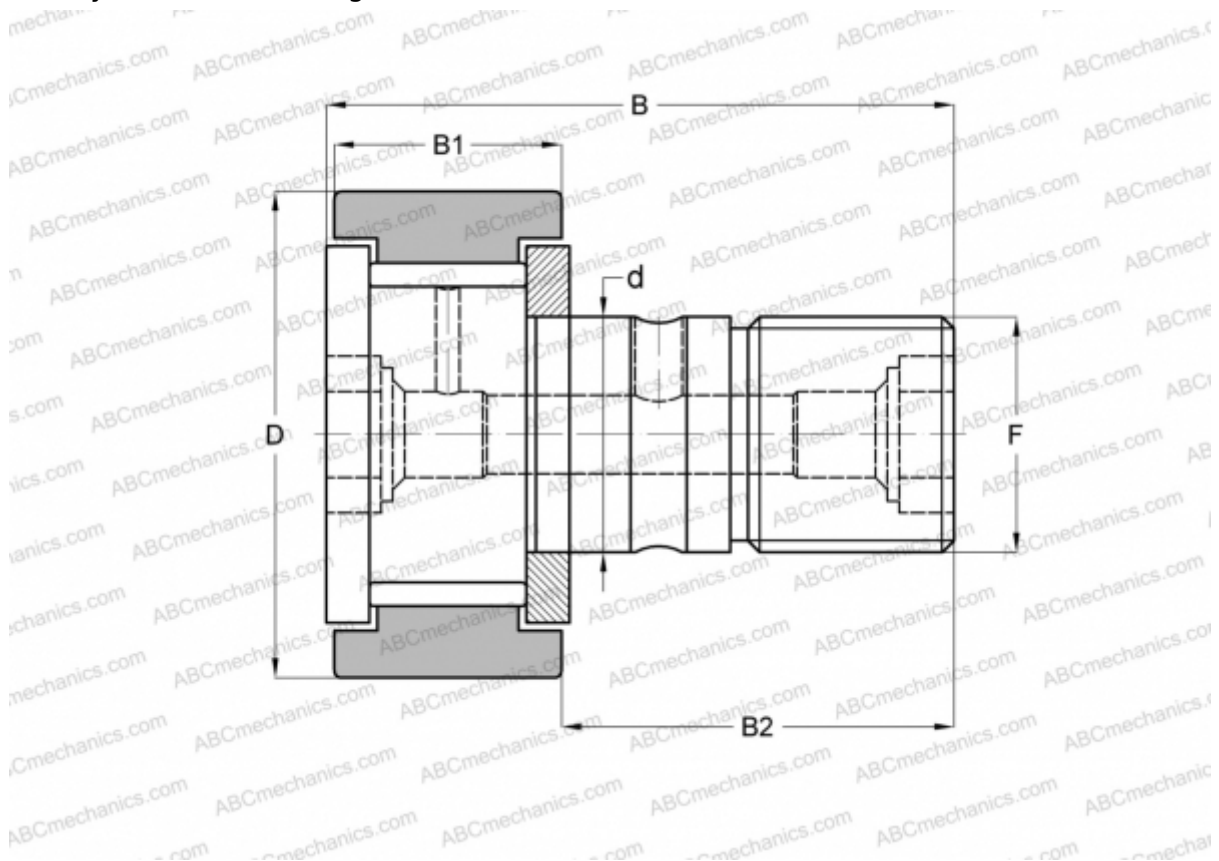


## CR 16 VB IKO

Cam followers

TYPE: Roller bearings, Stud type track rollers, With axial guidance, full complement bearing, gap seal on both side, cylindrical outer ring, hex socket, inch size



### Technical specification

#### DIMENSIONS, MM

|    |         |
|----|---------|
| d  | 11,112  |
| D  | 25,400  |
| B  | 42,069  |
| B1 | 16,669  |
| B2 | 25,400  |
| F  | 7/16-20 |

**WEIGHT, KG** 0,073

**MANUFACTURER** [IKO](#)

#### INTERCHANGE

|            |                          |
|------------|--------------------------|
| ABC        | <a href="#">CR 16 VB</a> |
| TORRINGTON | <a href="#">CRB-16</a>   |
| INA        | <a href="#">CF 16 SK</a> |
| McGill     | <a href="#">CF-1-B</a>   |

#### CALCULATION DATA

|                              |           |
|------------------------------|-----------|
| Basic dynamic load rating, C | 13,100 kN |
| Basic static load rating, Co | 22,700 kN |