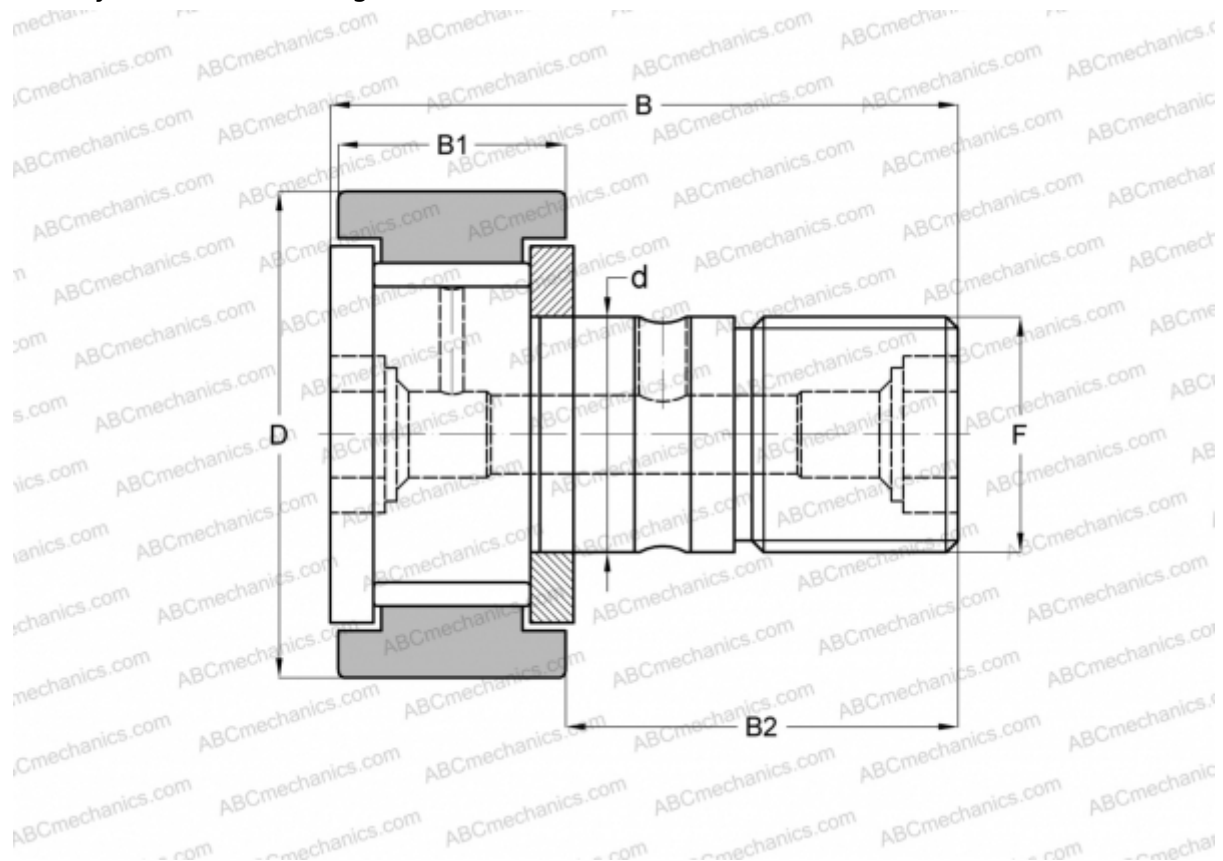


CF 16 SK INA

Cam followers

TYPE: Roller bearings, Stud type track rollers, With axial guidance, full complement bearing, gap seal on both side, cylindrical outer ring, hex socket, inch size



Technical specification

DIMENSIONS, MM

d	11,112
D	25,400
B	42,069
B1	16,669
B2	25,400
F	7/16-20

WEIGHT, KG 0,073

MANUFACTURER [INA](#)

INTERCHANGE

ABC	CR 16 VB
IKO	CR 16 VB
TORRINGTON	CRB-16
McGill	CF-1-B